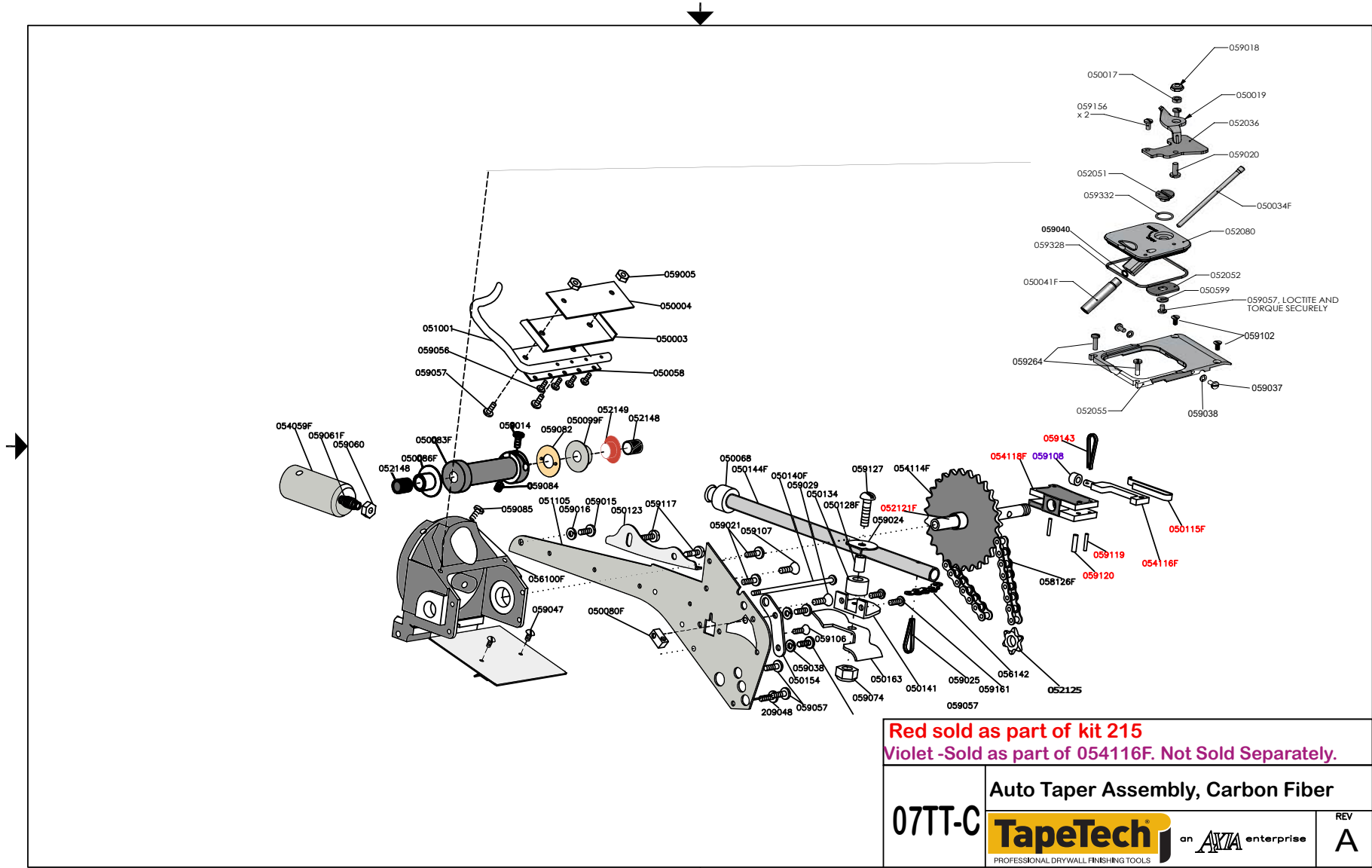
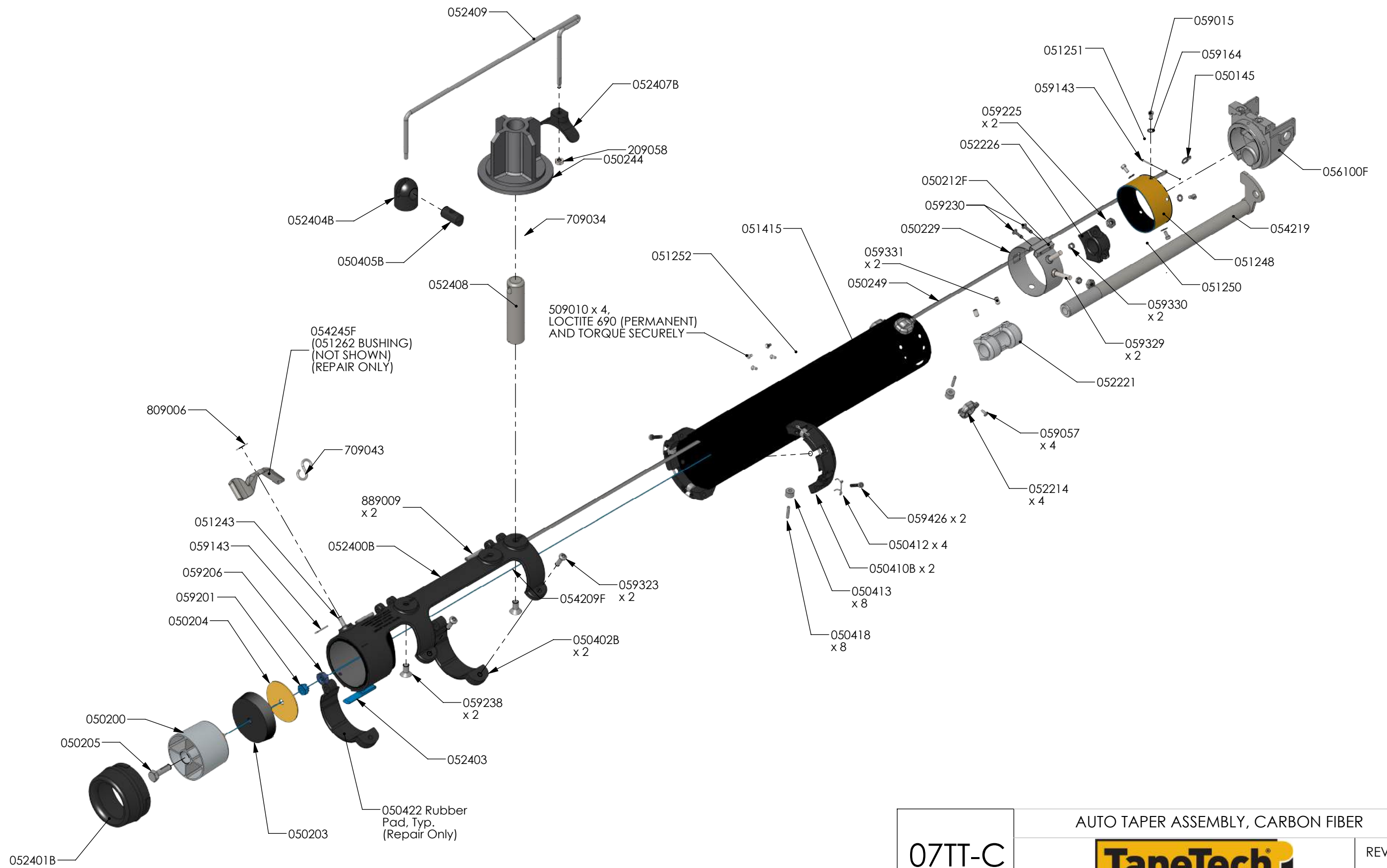


07TT-C	Auto Taper Assembly, Carbon Fiber	REV A
	 <small>PROFESSIONAL DRYWALL FINISHING TOOLS</small>	





07TT-C

AUTO TAPER ASSEMBLY, CARBON FIBER



REV.
A

Part Number	Description	Quantity Each	Sold as part of:
050003	Wiper, Control Valve	1	
050004	Wiper, Retainer	1	
050017	Collar Bushing	1	
050019	Disengaging Cam	1	
050023F	Spacer Bar	1	
050027	Lock, Needle Holder	1	Kit 200
050030	Magnet	1	Kit 200
050034F	Disengaging Rod	1	
050041F	Disengaging Rod Bearing	1	
050043F	Anvil	2	
050046	Support, Right Chain Roller	1	
050050F	Needle Holder	1	Kit 200
050053	Cam Gooser Release	1	
050058	Control Valve	1	
050063	Cut Off Spring Cover	1	
050068	Gooser & Cutter Chain Stop	2	
050070F	Creaser Axle	1	
050071F	Front Support	1	
050072F	Rear Support	1	
050073	Creaser Wheel	1	
050079	Creaser Crank	1	
050080F	Screw Block	2	
050081F	Spring	2	
050083F	Cable Drum	1	
050086F	Head Bushing	1	
050090F	Spacer Bar	1	
050093F	Taper Wheel	2	
050094F	Spool	1	
050099F	Head Bushing	1	
050109F	Hub	2	
050113F	Cutter Block Tube	1	
050115F	Spring, Drive Dog	1	Kit 215
050123	Cam	1	

Part Number	Description	Quantity Each	Sold as part of:
050128F	Bushing, Chain Roller	2	
050132F	Spring, Cut Off	1	Kit 340
050134	Chain Roller	2	
050140F	Screw, 6.52 X 5.09	1	
050141	Support, Left Chain Roller	1	
050144F	Link Tube	1	
050145	Creaser Chain	1	
050150F	Hub	2	
050154	Bearing Bracket	2	
050163	Guide, Main Chain	1	
050200	Plastic Piston	1	Kit 335
050203	Plunger Cup	1	Kit 335
050204	Cup Washer	1	Kit 335
050205	Cup Bolt, 1/4-20 X 7/8 Hex Head	1	Kit 335
050212F	Nut	1	
050229	Band	1	
050244	Spool	1	
050249	Creaser Connector	1	
050402B	Band Clamp, Black	2	
050405B	Keeper Axle, Black	1	
050410B	Control Tube Flange, Black	2	
050412	Wheel Keeper Wireform	4	
050413	Control Tube Wheel	8	
050418	Roller Axle	8	
050500	Brake Roller	1	
050577	Brake Torsion Spring	1	
050599	Main Shaft Washer	1	
051001	Outlet Valve Handle	1	
051089	Side Plate, SST	1	
051105	Side Plate, SST	1	
051243	Stub Shaft	1	
051248	Taper Tube, Carbon Fiber	1	
051250	Top Brace, Taper Tube	1	

Part Number	Description	Quantity Each	Sold as part of:
051251	Bottom Brace, Taper Tube	1	
051252	Control Arm Brace	1	
051415	Control Tube, Carbon Fiber	1	
052011	Drip Guard	1	
052036	Base Bracket	1	
052051	Key	1	
052052	Lock	1	
052055	Taper Head Enclosure	1	
052080	Snap Out Cover	1	
052121F	Shaft	1	Kit 215
052148	Bushing, Plastic	2	
052149	Sprocket Bushing	1	
052150	Brake Adjuster	1	
052152	Side Plate Spacer	1	
052214	Wheel Enclosure	4	
052221	Control Arm Boss	1	
052226	Control Arm Guide, Molded	1	
052400B	Spool Mount	1	
052401B	Plunger Stop, Small	1	
052403	Plunger Stop Locking Strap	1	
052404B	Keeper Yoke	1	
052407B	Keeper Tube Cradle	1	
052408	Spool Post	1	
052409	Keeper Wireform	1	
052576	Brake Spring Mount	1	
054028	Gooser Assembly	1	
054032F	Push Rod Assy	1	
054048F	Baffle Plate Ass'Y	1	
054064F	Filler Tube W/Valve	1	
054075	Tape Runner Assy, Right	1	
054095F	Creaser Arm Assy	1	
054096F	Creaser Arm Assy	1	
054101	Tape Guide Assy.	1	

Part Number	Description	Quantity Each	Sold as part of:
054104	Tape Runner Assy, Left	1	
054110F	Drive Shaft Assembly	1	
054111F	Gooser Guide	1	
054114F	Sprocket Assembly	1	
054116F	Drive Dog Assy	1	Kit 215
054118F	Drive Dog Holder Assembly	1	Kit 215
054209F	Main Cable Assy	2	Kit 335
054219	Control Arm Assy.	1	
054245F	Trigger Assembly	1	
056022	Gooser Spring	1	Kit 200
056100F	Taper Head, No Logo	1	
056133	Pyramid Blade, SST	2	Kit 340
056135	Cutter Chain Assembly, SST.	1	Kit 340
058126F	Drive Chain - S.S.	1	
059005	Nut 4-40 Hex S.S.	2	
059012	Screw 6-32 X 3/8 Fil. Hd. S.S.	1	
059013	Screw 6-32 X 5/16 Rd. Hd. S.S.	4	Kit 200
059015	Screw 6-32 X 1/4 Fil. Hd. S.S.	8	
059016	Lockwasher, #6 Medium Spring	7	Kit 200
059018	Stopnut 6-32 Thin Pat.	3	
059020	Screw 6-32 X 3/8 Bind Hd.	3	
059021	Screw, 4-40 X 5/32	4	
059024	Chain Keeper	1	
059025	Cotter Pin. 5/64 X 1/2 S.S	1	
059029	Screw 6-32 X 5/8 Fl. Hd. S.S	1	
059037	Screw 4-40 X 1/4 Bind Hd. S.S	5	Kit 200
059038	Lockwasher 4 Med. Spring	6	
059040	O Ring, 568-006 Buna	1	
059044	Insert	1	
059047	Screw 2-56 X 1/8 Bind Hd. S.S	2	
059049	Needle, Gooser	2	Kit 200
059051	Screw 6-32 X 3/16 Fil. Hd. S.S	1	Kit 200
059056	Machine Screw, 2-56 X 3/16 Fillister Hea	4	

Part Number	Description	Quantity Each	Sold as part of:
059057	Screw 4-40 x 3/16 Bind Hd. S.S	23	
059067	Key Ring, .875 Diameter	1	
059074	Stopnut, 8-32 Hex, Elas., S.S.	4	
059078	Bearing Nyliner	2	
059082	Drum Washer	1	
059084	Setscrew	2	
059085	Screw 8-32 X 1/4 Fil. Hd. S.S	1	
059087	Nut 3-48 Hex, Miniature S.S.	1	
059091	Screw 6-32 X 1/2 Slotted Fil. Hd., S.S.	2	
059092	Screw 8-32 X 1-1/2, Slotted Rd. Hd., S.S	1	
059098	Shim, Side Plate	2	
059102	Screw 4-40 X .225/.235 Fl.Hd.SST.	8	Kit 340
059106	Screw 4-40 X 1/8 Slted Fl Hd SST.	2	
059107	Screw 6-32 X 1/4 Fl. Hd. SST.	1	
059120	Axle, Drive Dog	1	
059127	Screw 8-32 X 5/8 Truss Hd. S.S	2	
059143	Cotter Pin 1/16 X 1/2 SST.	4	
059156	Screw 4-40 X 5/16 Bind. Hd. S.S	4	
059161	Screw 4-40 X 3/8 Fil. Hd. S.S	4	
059164	#6 Ext. Washer	5	
059201	1/4-20 Hex Nut, Slotted	1	Kit 335
059206	Nut 1/4 - 20 Heavy Hex. S.S 303	1	Kit 335
059225	Nut 10-32 Elastic	2	
059230	Screw 5-40 X 7/16 Bind	2	
059238	1/4-20 X 1/2 Screw Fl Hd Socket Cap	2	
059239	Vial 1/2 X 2	1	
059253	Vial Cap 1/2 Red	1	
059264	4-40 X 7/16 Binding Head Screw	2	
059323	10-32X5/8 Button Hd Soc Cap Screw	2	
059328	O-Ring, 1-3/4 ID x 1-7/8 OD x 1/16 wide	1	
059329	Screw, 10-32 x 1, Phillips FH Undercut	2	
059330	Jam Nut, 10-32 x 1/8	2	
059331	10-32 x 5/16 Hex Soc Set TY A Cup Pt	2	

Part Number	Description	Quantity Each	Sold as part of:
059332	O-Ring, 1mm x 11mm	1	
059333	O Ring - 5/32 ID x 9/32 OD x 1/16 Wide	1	
059426	6-32 X 5/8 Soc. Hd. Cap Screw	2	
059429	O Ring, 5/16 ID x 9/16 OD x .139 Wide	1	
209042	#10 Brass Washer	2	
209048	Screw, 4-40 X 1/8 Bind. Hd. S.S.	2	
209058	6-32 Brass Nut	1	
219095	Washer	1	
359005	Screw: 6-32 X 1/4 Bind Hd.	2	
509010	Screw: 4-40 X 5/16 Fl. Hd. S.S.	1	
509010	Screw: 4-40 X 5/16 Fl. Hd. S.S.	4	
609012	Stopnut 4-40 S.S	1	
709034	O'Ring 568-210 Buna	1	
709043	#63 "S" Hook 18-8 S.S.	1	
809006	Washer:#14 Brass	1	
889009	5/32 X 1" Spring Pin. 18-8 S.S.	2	