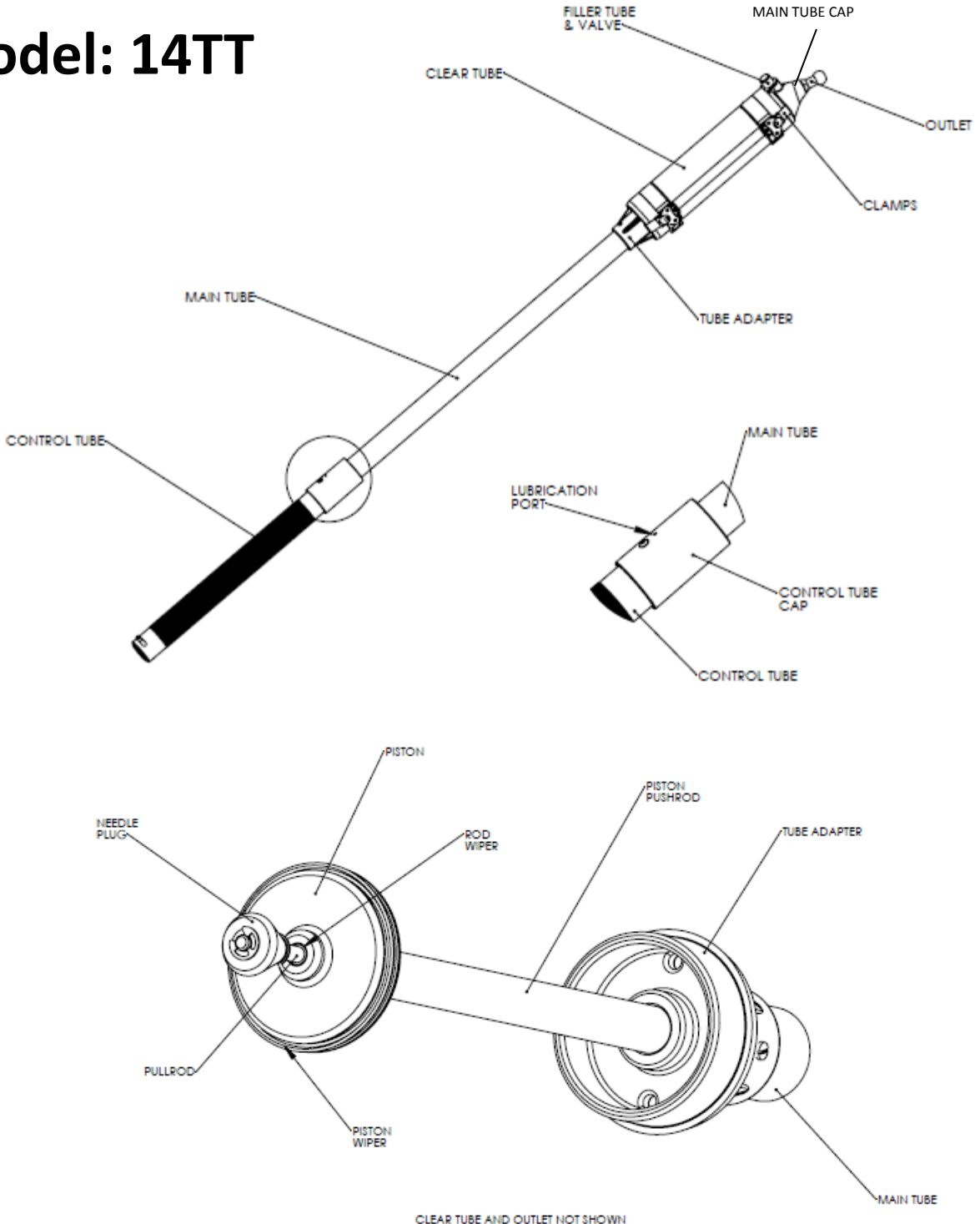


MudRunner®

Operation and Maintenance Guide

Better – Faster – Every time

Model: 14TT



MudRunner®

Operation and Maintenance Guide

Better – Faster – Every time

Models: 14TT

The MudRunner® is essentially a power-assisted corner applicator and is intended to work with corner finishers and mud heads.

Operation

In general, you will want to use joint compound thicker than you would normally use for finishing corners. To start, it is recommended to thin the compound to about midway between the consistency you normally use for corner finishers and finishing boxes. This varies based on personal preference and the brand of joint compound you typically use.

To fill the MudRunner® with compound, insert the filler valve fully into the discharge tube of the Loading Pump. You will need to maintain pressure against the Loading Pump as the MudRunner® is filled or the pumping pressure will force the MudRunner® off of the filler valve.

Whenever there is any compound in the tool, it is under constant pressure from the internal gas spring. Pump until the MudRunner® piston is forced all the way back to its stop. Once full, do not continue pumping. Attach the finishing tool to the ball outlet of the MudRunner®. Compound flow is controlled by twisting the control tube. The more you twist, the faster compound flows.

Place the tool at one end of the joint to be finished with the filler valve pointing away from the corner. Twist the control tube. If you are using the corner finisher or mud head for the first time or after it has been cleaned, you may want to wait an instant until you see compound filling it. Move the tool toward the other end of the joint, relaxing your grip on the control tube when you wish compound flow to stop. The outlet valve will automatically close off compound flow as you relax your grip. Place the tool at the other end of the joint and repeat, relaxing your grip on the control tube when you have overlapped the point where the previous pass ended.

Maintenance

It is good practice to empty the tool if it is not going to be used for a time. The outlet end of the tool can be placed in a bucket of water. However, DON'T SUBMERGE THE HANDLE END OF THE TOOL! The handle end can be sprayed with water, but should not be submerged. Do not directly spray the white cover at the top end of the control tube. Should water find its way into the handle, stand the handle up vertically to allow it to drain.

Clean the tool by removing the main tube cap. Clean all compound from the inside of the cap, the filler valve and around the piston. If compound has gotten on the backside of the piston, remove the main tube and clean as needed. Lubricate the rubber piston seal with Ames® Bazooka® oil or any light machine oil.

Keep the area around the white cover clean. Avoid flushing joint compound or debris under the white cover as it may make operation of the control tube more difficult. Lubricate the control mechanism as shown after every cleaning and as needed to maintain proper operation of the tool. Replace the main tube and the main tube cap as soon as the tool is clean to reduce the chances of damaging the tool.

