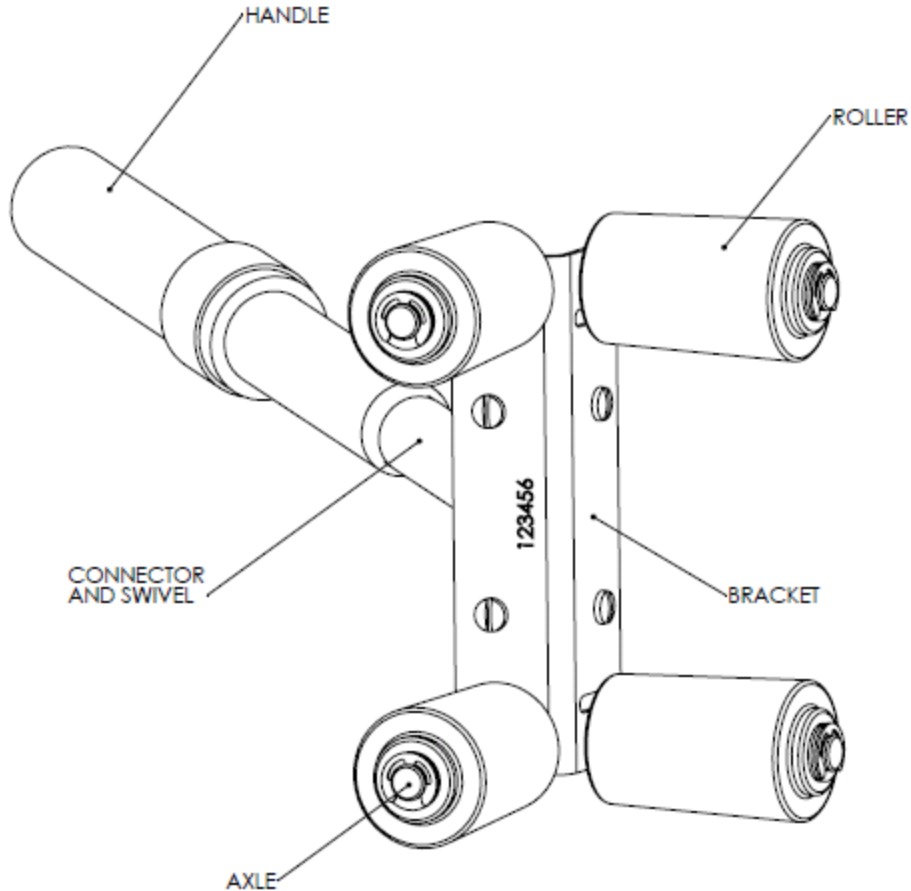


Outside Corner Roller

Operation and Maintenance Guide

Better – Faster – Every time

Models: 17TT & 17TTE



Outside Corner Roller

Operation and Maintenance Guide

Better – Faster – Every time

Models: 17TT & 17TTE

Operation

The Outside Corner Roller is used to embed the outside corner bead or Flex Tape into the joint compound. Attach the Outside Corner Roller to either the HR or HRRE Corner Roller Handle.

The four rollers of the outside corner tool will embed and smooth the corner bead and form a precise corner. For best results, start in the middle of the corner bead and, with light pressure, roll towards both ends. Then, again from the middle, work toward both ends with firm pressure.

This will force the excess compound from under the corner bead and prepare the Flex Tape or corner bead for wipe down.

For best results use a 4" or 6" (100 or 150 mm) knife to wipe down the excess joint compound left from embedding the corner bead.

Maintenance

Clean thoroughly with brush and water (or water hose) to remove all joint compound from the tool. After the tool is clean, lightly oil with Ames® Bazooka® Oil or any light machine oil.

