

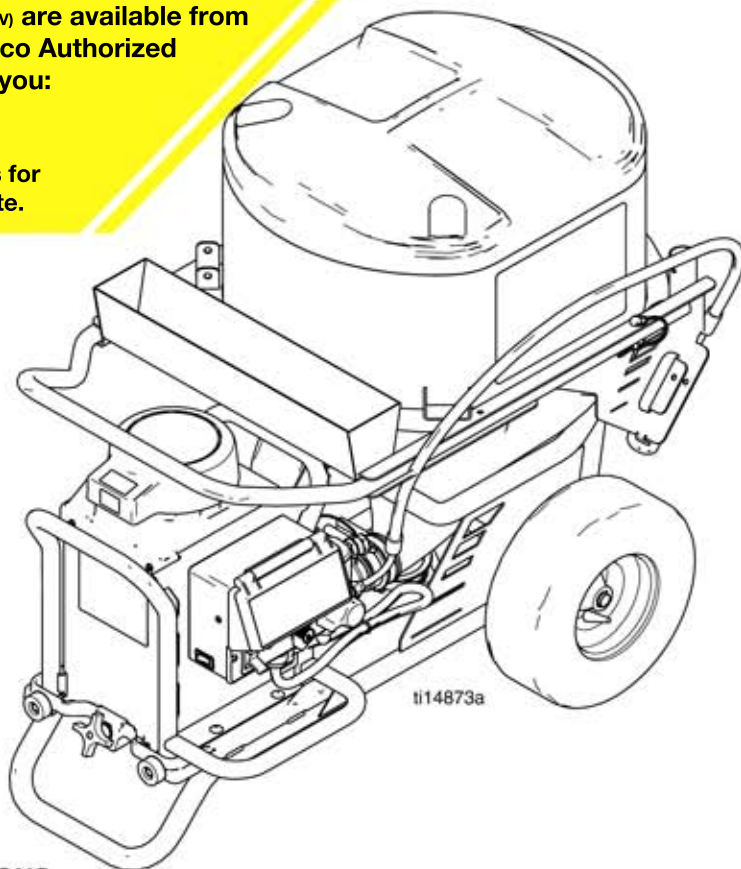
Drywall Feed Pump

U.S. Patents Pending: 61/315,288; 61/315/322; 61/316,013; 61/316,010

NOTICE: Repair and Replacement Parts for the Continuous Flow Pumps (CTPMP, CTEPMP, CTUPMP, CTAPMP) and controllers (CTBXC, CTVLV) are available from Graco Dealers and Service Centers. Visit the Graco Authorized Service Center Locator for the dealer nearest to you:

<http://www.graco.com/us/en/where-to-buy.html>

TapeTech does not offer repair and replacement parts for the pump or controllers except as noted on our website.



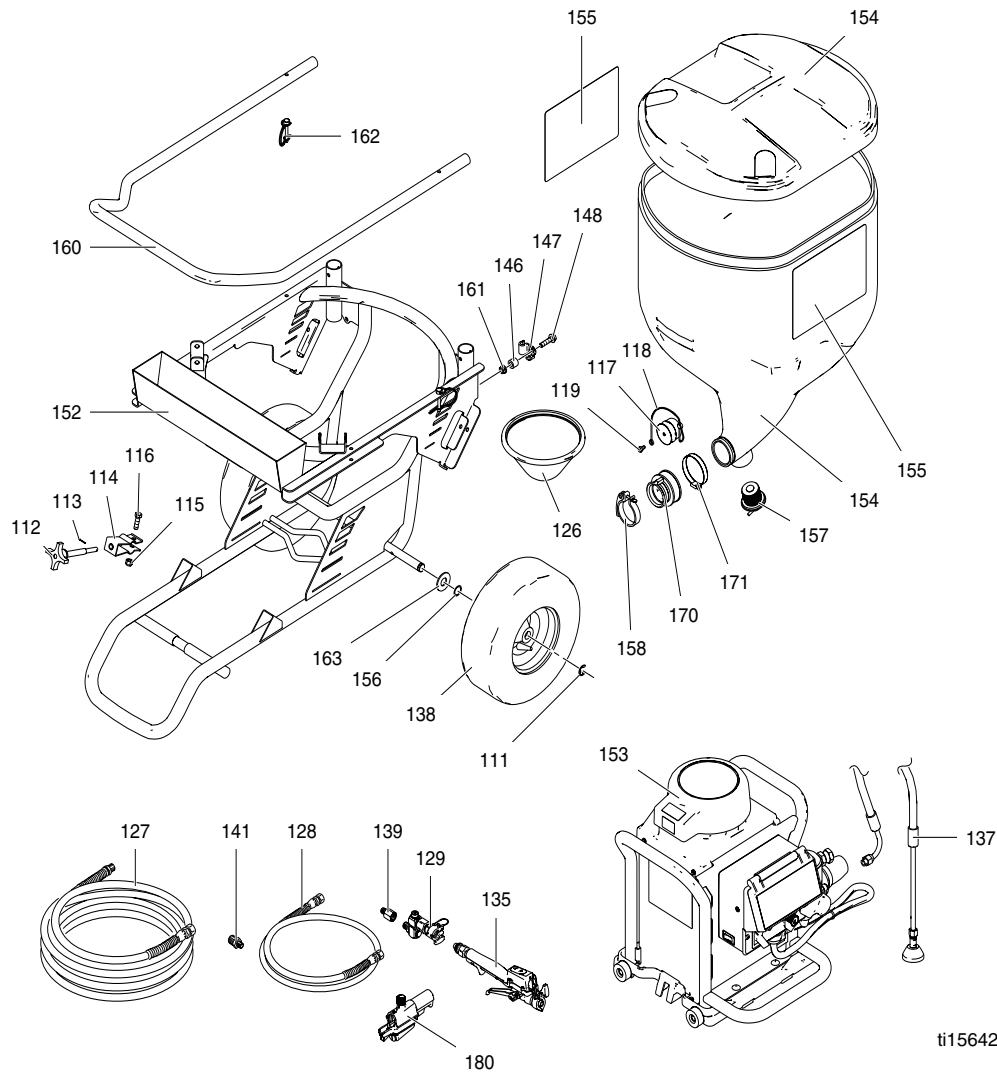
READ ALL WARNINGS AND INSTRUCTIONS

Read all warnings and instructions in this manual.
Save these instructions.

Maximum Working Pressure 2500 psi (17.2 MPa, 172 bar)

- Model 257100: 120V NA ETL Listed**
- Model 258906: 240V Euro Multicord**
- Model 258907: 110V UK, CE**
- Model 262288: 120V NA**
- Model 262300: 240V Euro CE Cord**

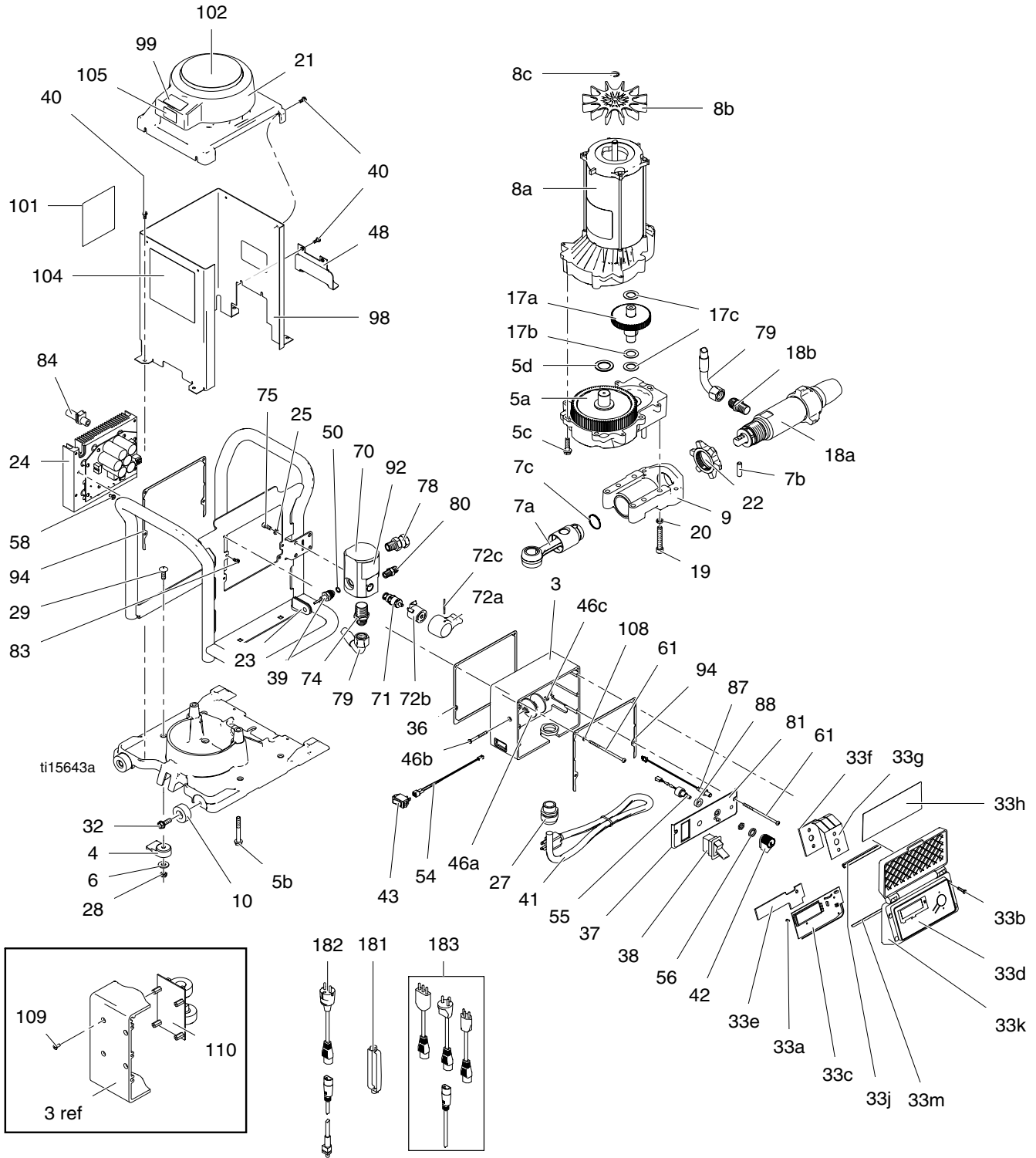
Parts



ti15642a

Ref.	Part	Description	Qty.	Ref.	Part	Description	Qty.
111	120211	RING, retaining, e-ring	2	147	278204	CLIP, drain line	1
112	15C799	ROD, clamp	1	148	112785	SCREW, hex HD, flanged	1
113	104430	PIN, cotter	1	152	15R633	FRAME, painted, TMAX	1
114	15C797	BRACKET, swivel	1	153	257047	MODULE, power, ETL listed	1
115	101566	NUT, lock	1		258890	MODULE, power, CE listed	1
116	100004	SCREW, cap, hex HD	1		258893	MODULE, power, UK CE listed	1
117	15D306	PLUG, adapter, hopper, texture	1		262289	MODULE, power, 120V	1
118	121458	TIE, lanyard	1		262299	MODULE, power, CE Cord	1
119	100333	SCREW, cap, hex HD	1	154	289668	HOPPER, assembly	1
126	16C298	FILTER, hopper	1	155	16D307	LABEL, brand, drywall us, hopper	2
127	257133	HOSE, cpld, 1/2 in. mx 50 ft	1	156	116038	WASHER, wave spring	2
128	223756	HOSE, cpld, 1/4 in. x 15 ft	1	157	121308	PLUG, expanding	1
129	24D166	SWIVEL, Z, complete	1	158	234188	CLAMP, quick release	1
135	24F538	VALVE, inline, assembly	1	160	15R639	HANDLE, TMAX	1
137	24E958	KIT, drain, hose	1	161	112958	NUT, hex, flanged	1
138	122267	WHEEL, foam	2	162	121313	PIN, locking, 1/4 in.	2
139	150287	COUPLING	1	163	156306	WASHER, flat	2
141	162449	FITTING, nipple, reducing	1	170	15R609	FITTING, hopper, adapter	1
146	16C794	SPACER, .75 OD X .4 ID X .625	1	171	102905	CLAMP, hose	1
				180	24F463	KIT, control, box slide	1

Pump Module Parts



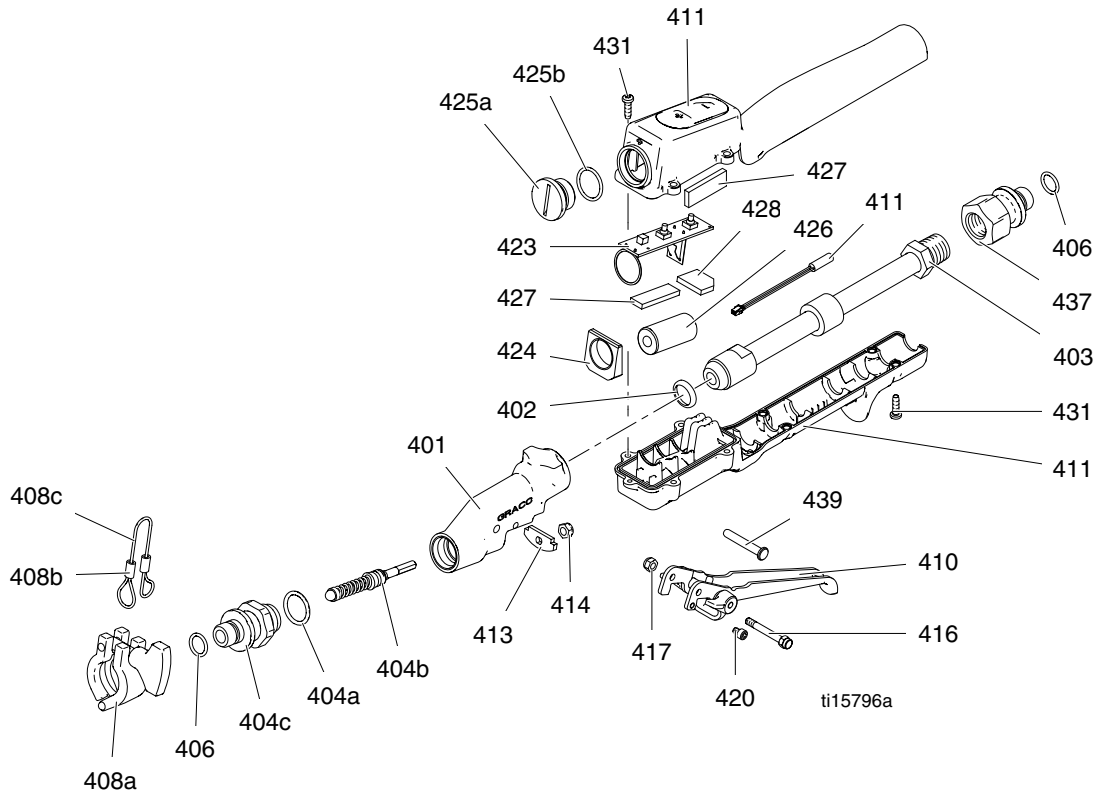
Pump Module Parts List

Ref.	Part	Description	Qty.	Ref.	Part	Description	Qty.
3	15G700	BOX, control	1	40	118444	SCREW, mach, slot hex wash HD	10
	15D431	BOX, control, CE and UK	1	41	15H066	CORD, power (Model 257047)	1
4	277657	GUIDE, base	4		15H065	CORD, power (Model 262289)	1
5	24E959	KIT, housing, drive	1		15D528	CORD, power, CE	1
5a		HOUSING, drive	1		15D530	CORD, power, UK	1
5b	120981	SCREW, mach, hex washer HD	2		15D529	CORD, power, global	1
5c	15C753	SCREW, mach, hex wash HD	3	42	116167	KNOB, potentiometer	1
5d	116192	WASHER, thrust	1	43	120059	SWITCH, rocker	1
6	100023	WASHER, flat	4	46	287943	KIT, repair, coil	1
7	287720	KIT, rod, connecting	1	46a		COIL	1
7a		ROD, connecting	1	46b	120223	SCREW, machine, flat head	1
7b	15F856	PIN, pump	1	46c	116969	NUT, lock	1
7c	119778	SPRING, retaining	1	48	15T629	SHIELD, pump rod	1
8	24D362	KIT, motor, electric	1	50	111457	PACKING, o-ring	1
8a		MOTOR, electric	1	54	15G935	CONNECTOR, electrical	1
8b	15V577	FAN, motor	1	55	256219	POTENTIOMETR, assembly	1
8c	122347	RING, retaining, external	1	56	15C973	GASKET	1
9	240724	HOUSING, bearing	1	58	114391	SCREW, grounding	1
10	113817	BUMPER	2	61	123128	SCREW, mach, pan head, 10-24X4	4
17	287290	KIT, gear, combination	1	70	15X122	MANIFOLD, fluid	1
17a		GEAR, combo	1	71	24B339	VALVE, prime, heavy duty	1
17b	114699	WASHER, thrust	1	72	24E960	KIT, handle	1
17c	114672	WASHER, thrust	2	72a	258894	HANDLE, valve, prime	1
18	24E957	KIT, pump, displacement	1	72b	24A382	BASE, valve, heavy duty	1
18a		PUMP, displacement	1	72c	15C972	PIN, grooved	1
18b	15Y925	FITTING, 5/8 JIC / 1/2 NPT	1	74	15Y934	FITTING, 5/8 JIC / 3/4 NPT	1
19	114666	SCREW, cap, socket head	4	75	121112	SCREW, cap, socket head	4
20	106115	WASHER, lock (hi-collar)	4	78	190451	UNION, adapter	1
21	16D622	SHIELD, assy, painted	1	79	16C350	HOSE, coupled	1
22	193031	NUT, retaining	1	80	118484	FITTING, connector	1
23	15D033	GROMMET, transducer	1	81	15X902	LABEL, euro	1
24	258843†	CONTROL, board, drywall feed	1	83	110637	SCREW, mach, panhead	2
	258889*	CONTROL, board, drywall (240V)	1	84	16C993	GROMMET, motor lead	1
25	100016	WASHER, lock	4	87	258644	KIT, reed switch (includes reed switch and sealant)	1
27	116171	BUSHING, strain relief	1	88	198650	SPACER, shaft	1
28	112746	NUT, lock, nylon, thin pattern	4	92	16D004	LABEL, drywall dump valve indent	1
29	107129	BOLT, round head	4	94	16D640	GASKET, control	2
32	260215	SCREW, hex HD	2	98	16D624	SHIELD, base, painted	1
33	24F259	KIT, repair, display	1	99	16C681	LABEL, no weight & no step	1
33a	115522	SCREW, mach, PNH	3	101	16E335	LABEL, graco	1
33b	116252	SCREW, #10, taptite phil	4	102	15U014	LABEL, cap	1
33c		CONTROL, board, receiver	1	104	16D653	LABEL, drywall warning label	1
33d	15X508	LABEL, brand, smartcontrol LCD	1	105	15Y118	LABEL, Made in the USA	1
33e		PAD, foam	1	108	116876	WASHER, flat	2
33f	16E941	SPACER, foam	1	109	119228	SCREW, mach, flat hd	4
33g	16E939	SHIELD, blocking	1	110	257905	CONTROL, board	1
33h	15X507	LABEL, smartcontrol	1	181	195551	CLIP, retaining	1
33j	15Y893	SEAL, extruded w/adhesive	1	182	242001	CORD SET, adapter, Europe	1
33k		COVER, control	1	183	287121	CORD SET, adapter, Italy, Denmark, Switzerland	1
33m	16D642	GASKET	1				
36	15D036	GASKET, control box	1				
37	15X617	PANEL, control	1				
38	15C979	SWITCH, rocker	1				
	15D527	SWITCH, rocker (240V)	1				
39	243222	TRANSDUCER, flow control	1				

† 257600 Repair Kit is available with control board only.

* 257601 Repair Kit is available with control board only.

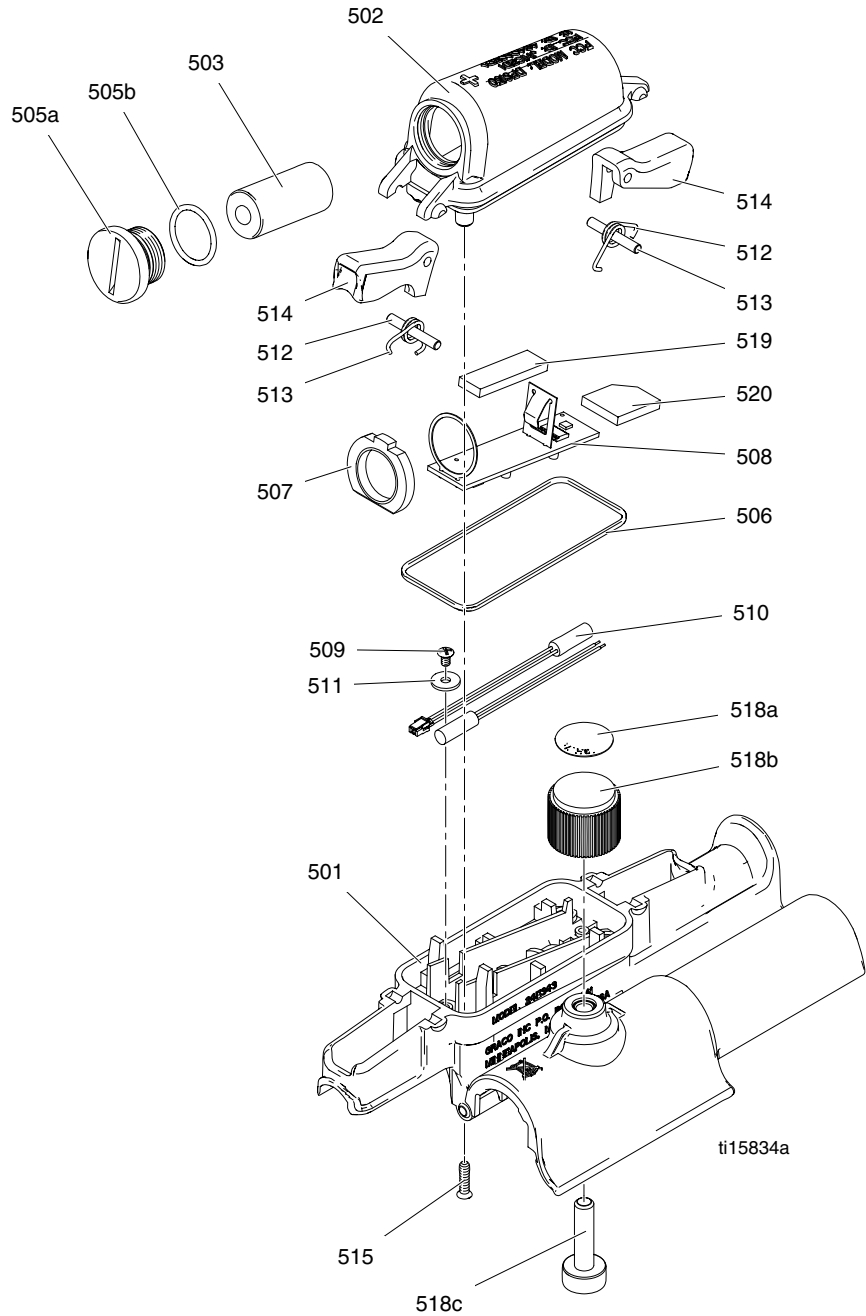
Inline Valve Parts 24F538



Ref.	Part	Description	Qty.	Ref.	Part	Description	Qty.
401	15Y164	HOUSING, fluid	1	417	15Y526	NUT, lock, m4 sst	1
402	179733	SEAL, sleeve	1	420	15Y200	FASTENER, pan head, 6-32 x .188 sst	1
403	15Y204	FLUID, tube	1	423	256228	CONTROL, board, transmitter	1
404	24F263	KIT, inline valve needle and seat	1	424	15Y201	NUT, battery, wedged	1
404a	104444	PACKING, o-ring	1	425	24F260	KIT, battery cap	1
404b	257585	NEEDLE, gun, assembly	1	425a	15Y203	CAP PLUG, battery	1
404c	257590	HOUSING, seat, .188 orifice	1	425b	108284	PACKING, o-ring	1
406†	103338	PACKING, o-ring	2	426	15X949	BATTERY, CR123A, lithium, 3 volt	1
408	24F269	KIT, sanitary clamp	1	427	15X950	PAD, foam, isolator	2
408a	15Y171	CLAMP, 1 in. sanitary	1	428	15X951	PAD, foam, isolator	1
408b		SLEEVE, oval	2	431	15Y263	FASTENER, self tapping, 6-32x.5 sst	8
408c		CABLE	1	437	16C346	ADAPTER, 3/8 nptf x 1.00 rad seal	1
410	257580	TRIGGER, w/magnet	1	439	16C952	PIN, clevis, fastener	1
411	257790	HOUSING, valve w/ overmold	1				
413	197058	BRACKET, stem	1				
414	107110	LOCKNUT	1				
416	177538	STUD, trigger	1				

† Repair Kit 24F262 is a 10-pack.

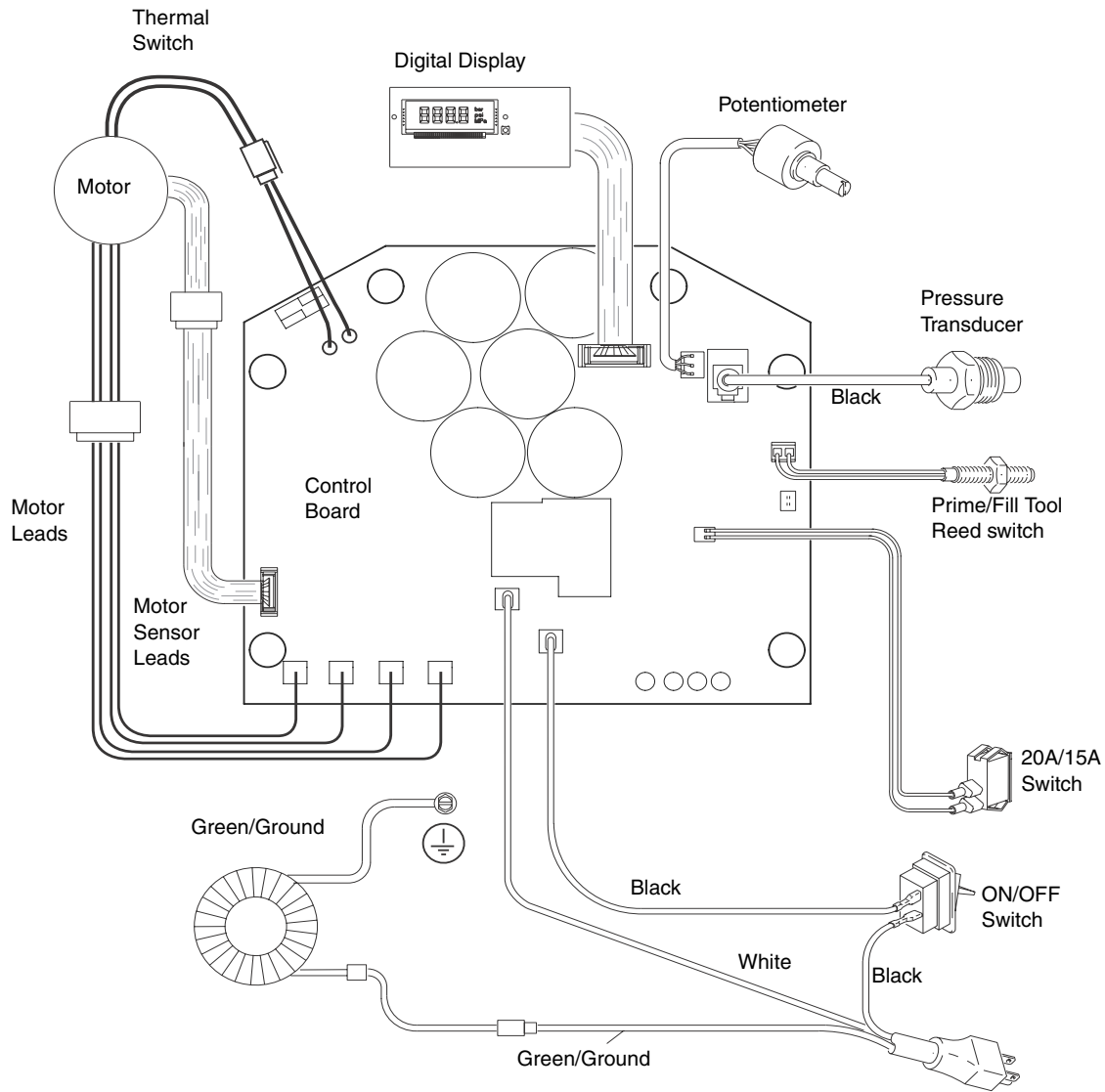
Box Slide Parts 24F463



Ref.	Part	Description	Qty.	Ref.	Part	Description	Qty.
501	258993	BASE, hinge assembly	1	511	16D937	WASHER, .12id x.38od x.04 thk	2
502	16D718	LID, slide control	1	512	16D760	PIN, trigger	2
503	15X949	BATTERY, CR123A, lithium, 3 volt	1	513	16D765	SPRING, trigger torsion	2
505	24F260	KIT, battery cap	1	514	24E473	TRIGGER, magnet assembly	2
505a	15Y203	CAP PLUG, battery	1	515	122665	SCREW, fhcs, 4-20 x .50	4
505b	108284	PACKING, o-ring	1	518	24F261	KIT, box slide control brake	1
506	C20272	PACKING, o-ring	1	518a	16E022	LABEL, drywall, round	1
507	16D761	NUT, battery cap	1	518b	121591	KNOB, .25 dia. shaft, w/setscrew	1
508	256228	CONTROL, board, transmitter	1	518c	16D763	BRAKE, slide control	1
509	101855	SCREW, tapping, pnhd	2	519	15X950	PAD, foam, isolator	1
510	16D933	SWITCH, dual in-line reed	1	520	15X951	PAD, foam, isolator	1

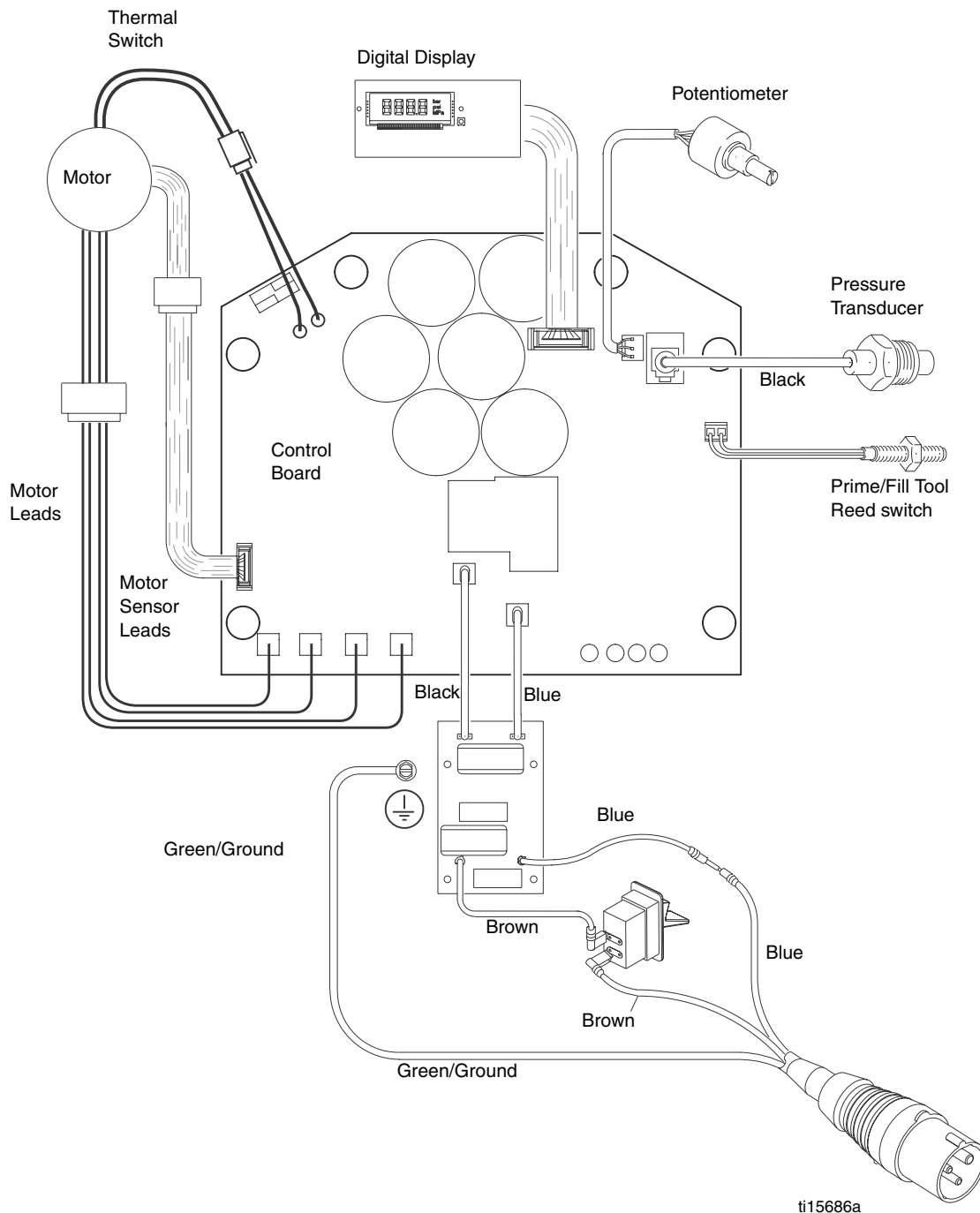
Wiring Diagrams

100-120 VAC NA Units

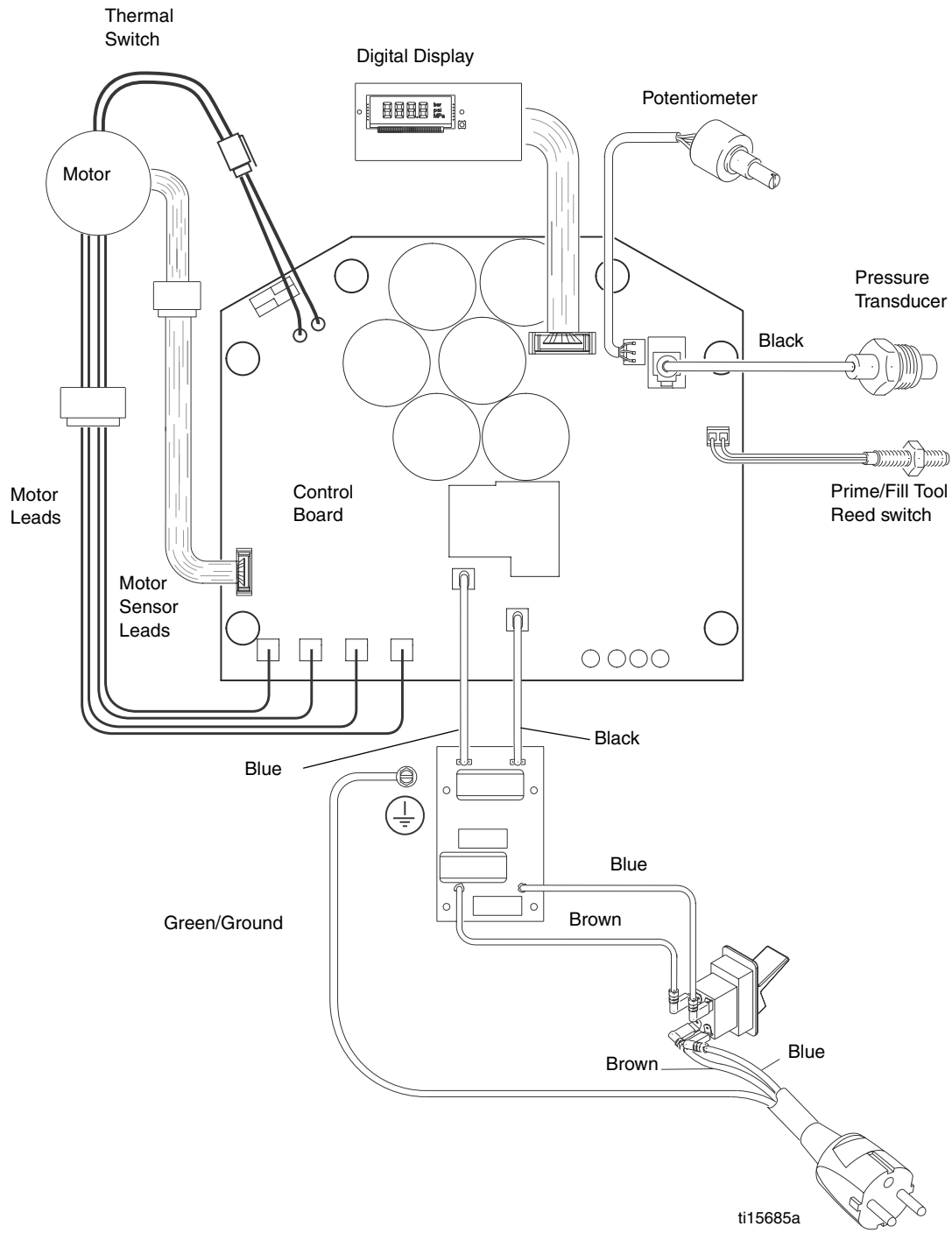


ti14889a

100-120 VAC UK



220-240 VAC Units



Technical Data (Unit)

Power requirements:	
Models 257100, 262288	100-120 VAC, 60 Hz, 15/20A
Models 258906, 262300	220-240 VAC, 50 Hz, 10A
Model 258907	100-120 VAC, 50/60 Hz, 15A
Motor HP (W)	2.5 (1864)
Maximum fluid working pressure	2500 psi (17.2 MPa, 172 bar)
Hopper capacity	25 gallons (95 liters)
Maximum delivery with texture material	Up to 1.5 gpm (5.7 lpm) - varies depending on material
Maximum hose length	150 ft of 1/2 in. hose plus 15 ft of 1/4 in. hose
Fluid outlet size	1/2 in. NPT female swivel
Dimensions	
Length	40 to 55 in. (102 cm to 140 cm) with handle
Width	22 in. (56 cm)
Height	31 in. (79 cm)
Weight (with hoses and applicator)	196 lb (89 kg)
Wetted parts	Buna-N, aluminum, brass, polyethylene, neoprene, stainless steel, nickel-plated carbon steel, fluoroelastomer, nickel-plated iron, wool felt, tungsten carbide, PTFE, nylon, zinc-plated carbon steel, paper, PVC, UHMWPE, leather, rubber
Sound data for drywall feed pump	
Sound pressure level *	80.0 dB(A)
Sound power level †	94.7 dB(A)
* Measured while dispensing at 1 m	
† Measured per ISO-3744	

Technical Data (Pump)

Maximum working pressure	2500 psi (172 bar, 17.2 MPa)
Fluid outlet size	1/2 npt(f)