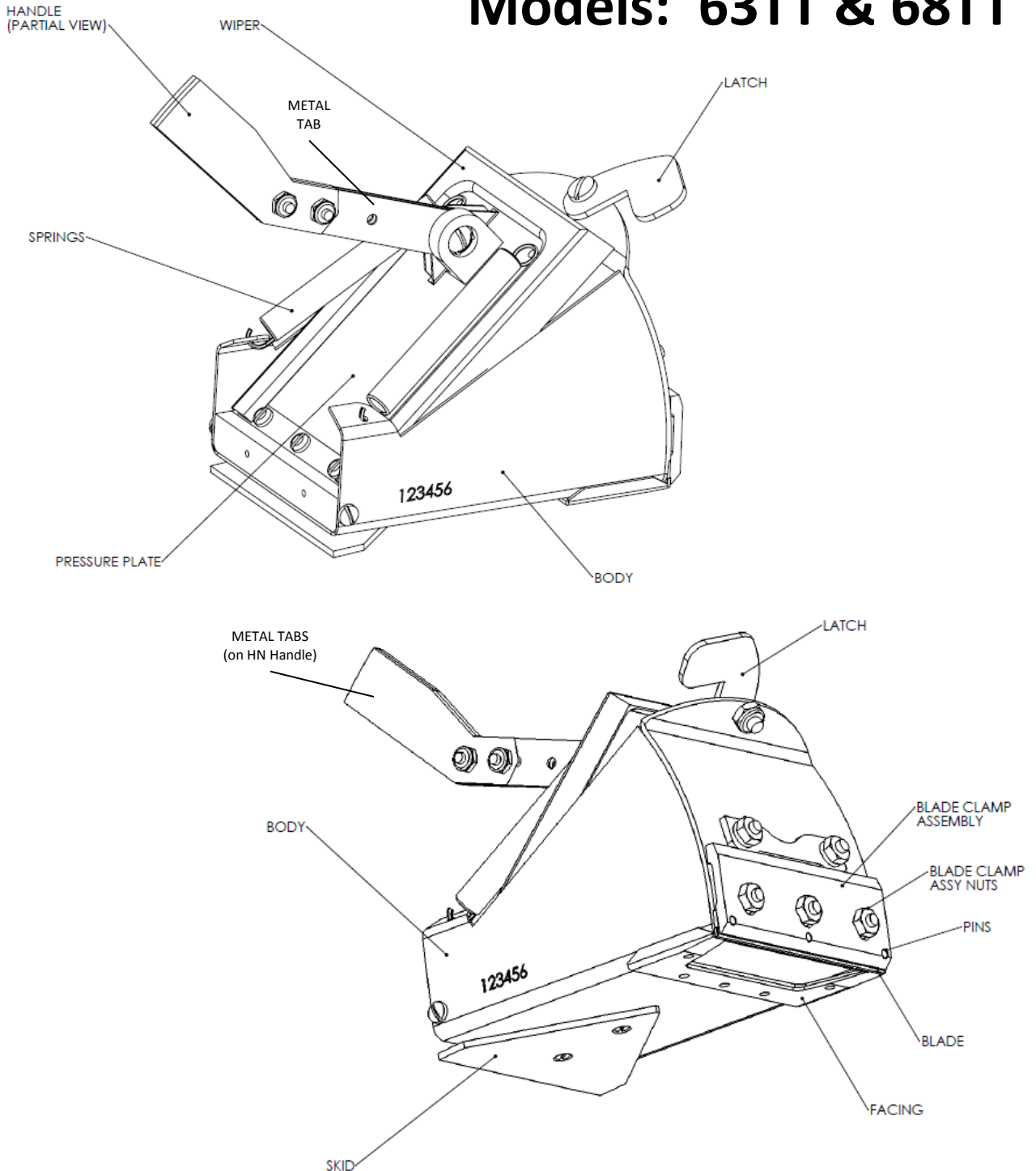


1380 Beverage Drive, Suite W
Stone Mountain, GA 30083
1-800-426-6256 | 678-892-2323

Models: 63TT & 68TT



Models: 63TT & 68TT

Operation

Available in 2" and 3" (50 & 75mm) widths, the EasyClean Nail Spotter fills nail and screw head depressions with joint compound. Each row of dimples can be filled in one pass with a nail spotter. Walls and ceilings may be done while working from the floor.

Use the EasyClean® Pump with the box and slot adapter to fill the nail spotter, making sure the joint compound is well mixed and lump free. Normally, no water needs to be added to thin the compound mixture.

Attach the nail spotter body to the nail spotter fiberglass handle (Model HN) by inserting the metal tab of the nail spotter handle between the two metal tabs on the back of the nail spotter. Insert the two screws and tighten the locking nuts.

Press the Nail Spotter flat against the wallboard surface at the beginning of the row of fasteners. Move the tool smoothly along the entire row, applying moderate pressure to force the compound onto the wallboard surface. The nail spotter blade skims off excess compound and leaves a slight crown directly over each dimple as the tool floats along the skid. After passing over the last dimple, gradually break contact with the surface using a sweeping motion. This will give you properly filled dimples without leaving excess compound to be removed by hand.

Maintenance

Clean thoroughly after every use with a brush and water (or a water hose). Lift up the release on the back of the tool, pull the pressure plate open and wash. Pay close attention that all joint compound is removed. Complete the clean-up by lightly oiling all wear points with Ames® Bazooka® Oil or any light machine oil.

Common Wear Parts

2" Carbide Blade (for 63TT): 600005F
2" Wiper (for 63TT): 630015

3" Carbide Blade (for 68TT): 650005F
3" Wiper (for 68TT): 680015

Blade Replacement

Although the nail spotter blade is precision ground and specially hardened, it can be chipped by an exposed nail or screw head or become worn from use. To replace the blade, unscrew the blade clamp assembly nuts on the top of the blade clamp, lift off the used blade and replace it. Be certain to press the blade firmly against the middle support while tightening the nuts. The middle of the blade should be slightly lower than the ends to leave a slight center crown over the nail or screw.

