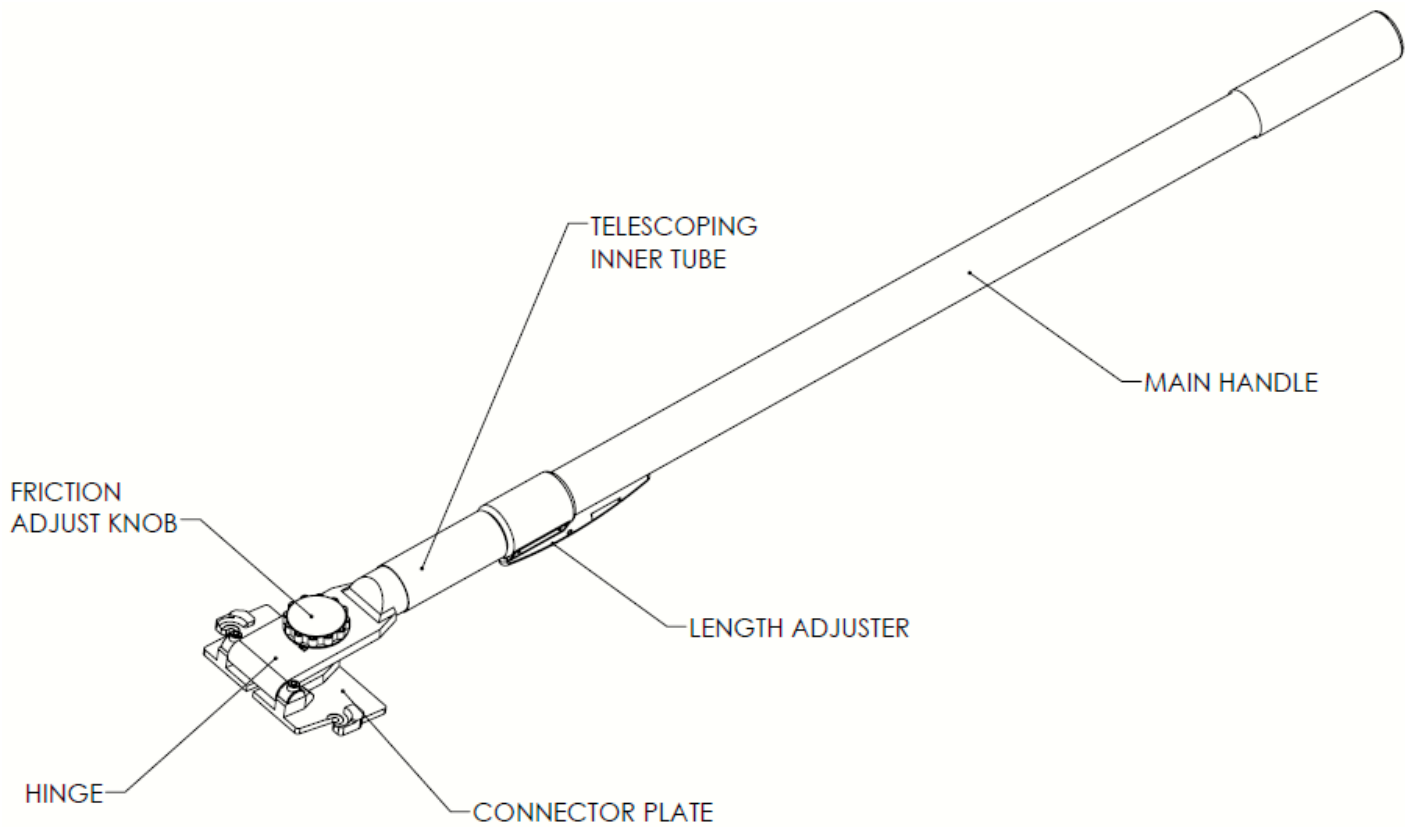


### Model: BHE



### *Model: BHE*

The TapeTech Brakeless Extendable Finishing Box Handle is an adjustable length finishing box handle that is compatible with all 7", 10", 12" & 15" (175, 250, 300 & 380mm) EasyClean<sup>®</sup>, MAXXBOX<sup>®</sup> and Power Assist<sup>®</sup> MAXXBOX finishing boxes. It is the strongest and longest adjustable box handle available. This versatile tool replaces 2-3 standard, fixed-length finishing box handles. The BHE requires almost no training or experience due to the innovative friction brake design.

## Operation

The brakeless extendable box handle attaches to finishing boxes in the same manner as standard finishing box handles, with the wing nuts provided on the boxes. Slide the connector plate of the handle on to the pressure plate of the box and tighten the wing nuts until the connection is secure.

To use the brakeless handle, first adjust the amount of friction between the handle and the box using the friction adjust knob on the hinge. The amount of friction is a personal preference but the finishing box should not swing freely – like with a standard brake handle – nor should it be so tight that the box will not pivot when moving along the joint. A small adjustment may be necessary once you fill the box with joint compound. More friction may also be required when using the Asgard MaxxBox and Power Assist finishing boxes due to the increased capacity of the boxes or when finishing ceiling joints.

Holding the handle with one hand, you can adjust the angle between the finishing box and the handle with the other hand to approximately the angle that will exist between the handle and the wall or ceiling when you start finishing the joint. A 30° angle between the box and the handle is a good starting point. Now place the blade of the finishing box at one end of the joint then apply pressure to the pressure plate as you engage the finishing box wheels on the wall and move along the joint. As you approach the end of the joint, sweep the box off the joint by lifting the wheels off the surface and then the blade in a sweeping motion.

Repeat the procedure outlined above for all the flat joints on your project.

Tip: If the finishing box wheels come off the surface as you move along the joint there is too much friction. You will need to loosen the adjustment knob slightly.

The length of the extendable handle can be adjusted by sliding the two telescoping sections in or out. A locking mechanism is provided to hold the handle in each of its four positions. Press the release mechanism to allow the sections to slide, which adjusts the length of the tool. The mechanism will automatically catch in the next position. Continue the adjustment until the desired length is achieved.

The mechanism must be locked into one of the four notches on the inner telescoping section for the brake to work properly. Do not try to operate the handle between any of the four positions.

## Maintenance

Clean the handle thoroughly with water, using a brush or hose.