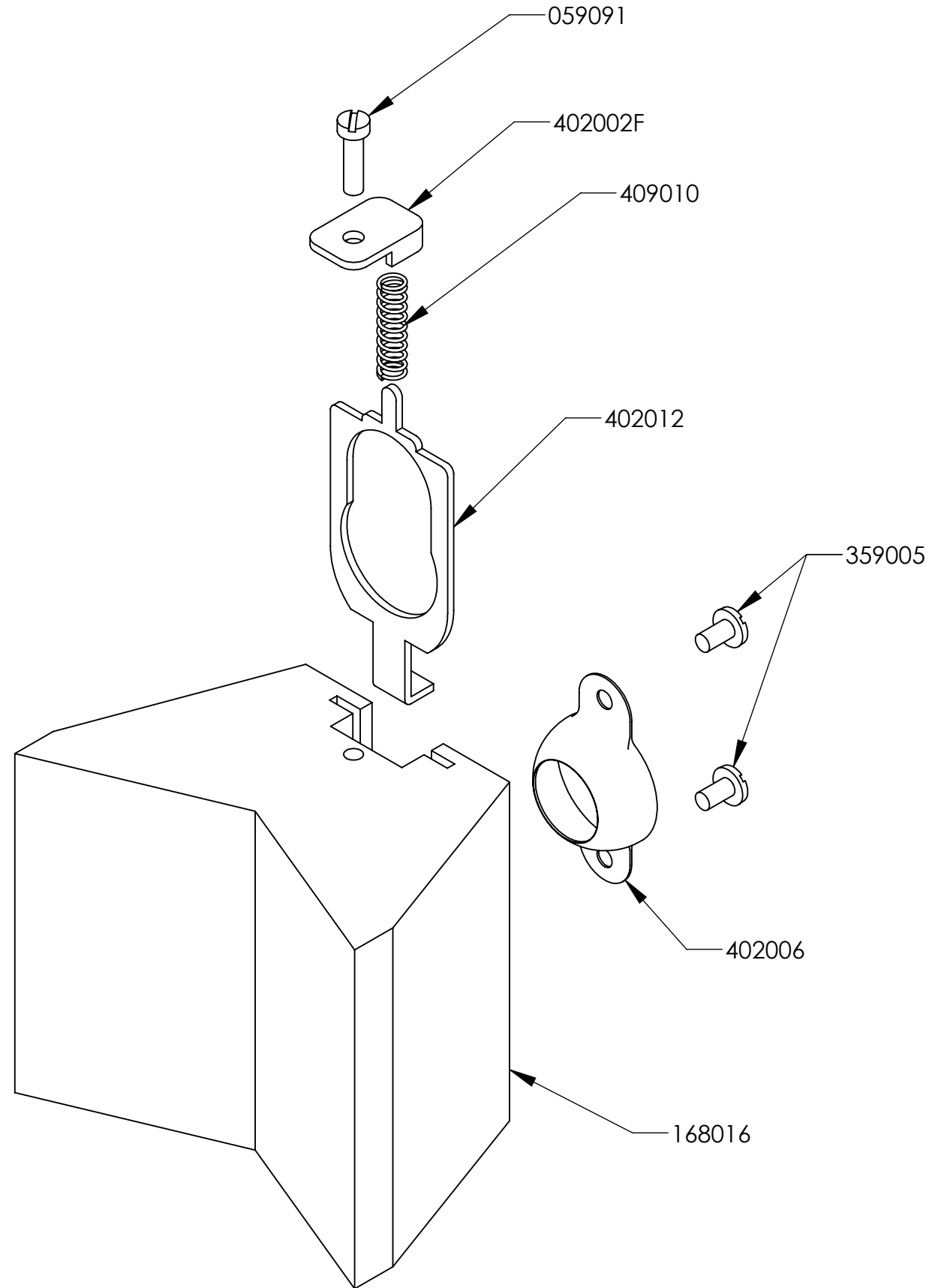


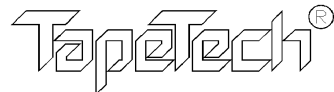

NOTES:  
1) NOT ALL FEATURES SHOWN

REVISIONS				
ECN	REV	DESCRIPTION	DATE	BY
1397	A	RELEASED FOR PRODUCTION	4-Nov	HM



PART NUMBER	DESCRIPTION	16TTOO/QT Y.
059091	6-32 X 1/2 SL. FL. HD SCREW	1
402002F	SPRING RETAINER	1
409010	SPRING	1
402012	BALL RETAINER	1
359005	6-32 X 1/4 BIND. HD SCREW	2
402006	INSERT SOCKET	1
168016	OUTSIDE OFFSET MUDHEAD BODY	1

	BY	DATE
DRAWN	HM	11/04
CHECKED	MWJ	11/04
ALL DIMENSIONS IN INCHES UNLESS OTHERWISE NOTED		
TOLERANCES UNLESS NOTED		
.XX ± 0.010"	ANGULAR ±.5°	
.XXX ± 0.005"		
MATERIAL: N/A		

OUTSIDE OFFSET CORNER MUDHEAD, TT			
			
SIZE B	SCALE = 1:1	DWG. NO. 16TTOO	REV. A
ASSEMBLY REF. NO. 16TTOO ASSY		SHEET 1 of 1	