

REVISIONS				
ECN	REV	DESCRIPTION	DATE	BY
1436	A	RELEASE FOR TAPETECH PER MTG REQUEST	07/05	HM
1449	B	REMOVE 704042 CHAIN ASSEMBLY	11/05	HM
1470	C	CHANGE 724018F & 709051 TO 726018 & 729051	04/06	MWJ

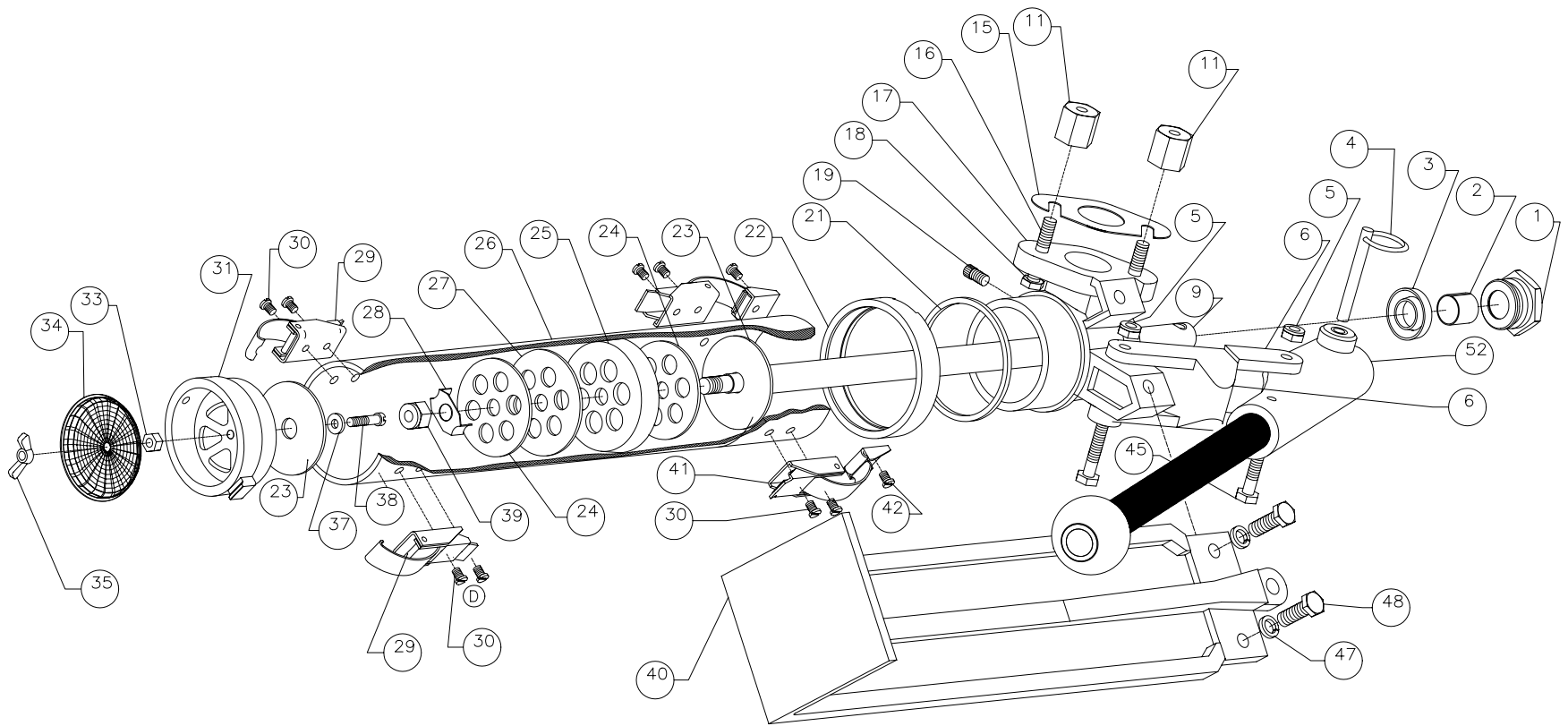
Item No.	Part No.	Description	Qty.	Item No.	Part No.	Description	Qty.
1	700004F	Gland	1	29			
2	700029	Bushing Liner	1	30	729063	Screw 8-32 x 3/16 Bind HD. S.M.	8
3	700005	'U' Cup	1	31	707411F	Foot Valve	1
4	724065	Quick Release Pin	1	32			
5	709052	Stop Nut, 1/4-20 Thin Pattern	2	33	709056	Nut, 10-24, Hex. SST.	1
6	700015F	Link	1	34	700032F	Screen (Fine)	0
7				34	700033F	Screen (Coarse)	2
8	729069	5/16-18 Thd Cutter Screw - Repair Only	1	35	209030	Wing Nut, 10-24, SST.	1
9	700002F	Piston Rod	1	36			
10				37	709012	Washer	1
11	700037	Special Nut	2	38	709055	Screw, 10-24 x 7/8 Rd. Hd. SST.	1
12				39	709027	Lock Nut, 3/8-16 Flex. Loc. SST.	1
13				40	706020F	Foot Bracket	1
14							
15	700049	Gasket	2	41	724061F	Clamp Assy. (Clamp + Keeper)	4
16	700036	Stud, 5/16-24 x 1 7/16	2	42	729064	Screw, 8-32 x 3/8 Bd. Hd. SST.	2
17	728001F	Easy Clean Pump Head	1	43			
18	709007	Nut, 5/16-24 Hex.	2	44			
19	709006	CapScrew, 1/4-20 x 5/8 Soc. Hd. SST.	1	45	729051	Hex Head Cap Screw	2
20				46			
21	729060	'O' Ring	1	47	709024	LockWasher, 5/16 Med.	2
22	720066F	'O' Ring Enclosure	1	48	709023	CapScrew, 5/16-18 x 7/8 Hex. Hd.	2
23	700010F	Valve Disk	2	49			
24	700045	Small Retainer	2	50			
25	720009	Piston Cup	1	51			
26	731003G	Cylinder	1	52	726018	Pump Handle Assembly	1
27	700008	Large Retainer	1				
28	709046	Locator	1				

	BY	DATE
DRAWN	HM	07/05
CHKD	HM	04/06
APPVD		
ALL DIMENSIONS IN INCHES UNLESS OTHERWISE NOTED		
TOLERANCES UNLESS NOTED		
XX ± 0.010		
XXX ± 0.005		
ANGLES ± 1/2°		
MATERIAL		

EasyClean Super Pump

Tapetech<sup>®</sup> an AYA enterprise

SIZE	SCALE	DWG NO.	REV
B		73TT	C
ASSEMBLY REF. NO.			SHEET 1 of 2



73

EASYSUPER PUMP

TopoTech® an AYA enterprise

REV  
C