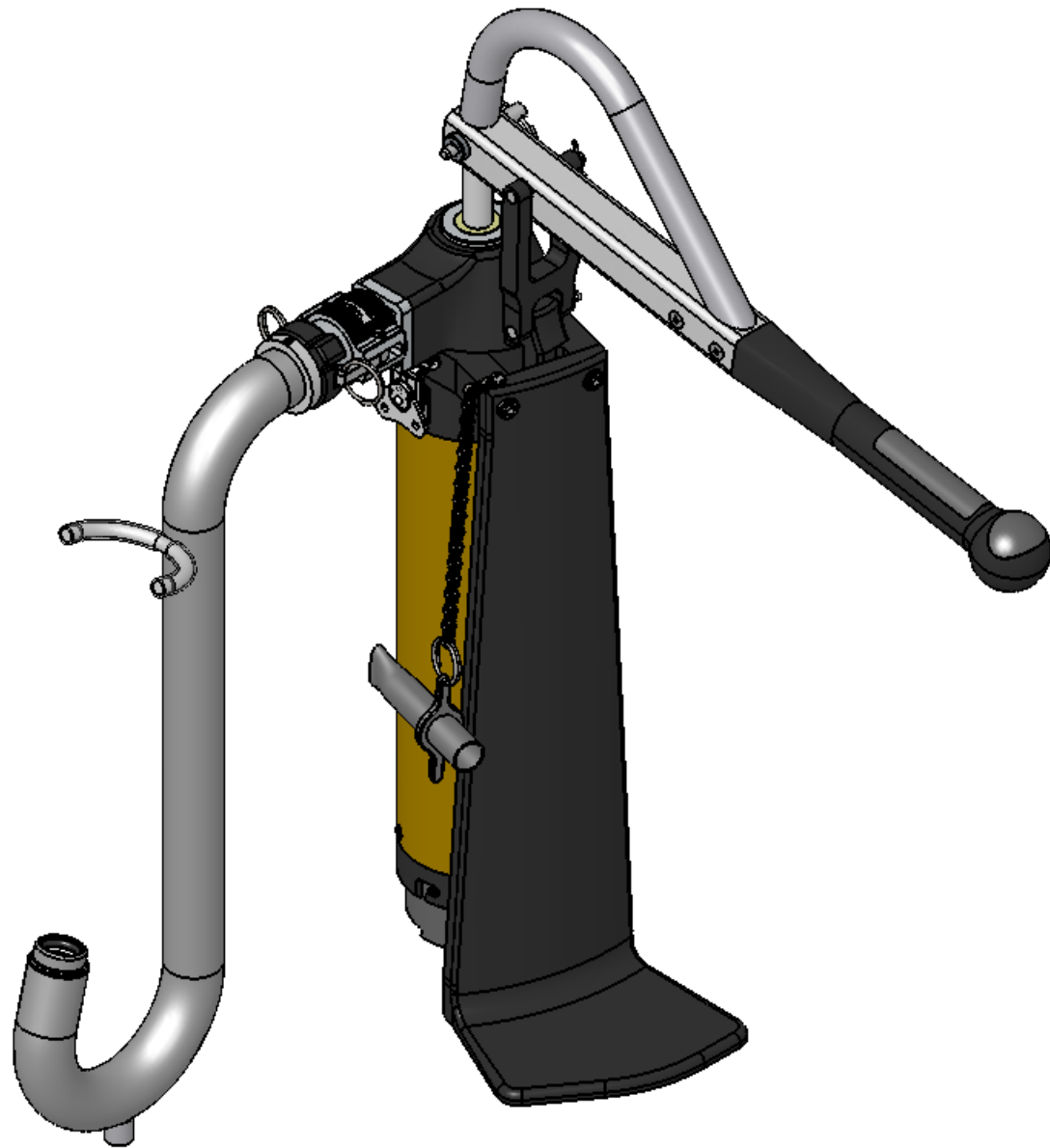
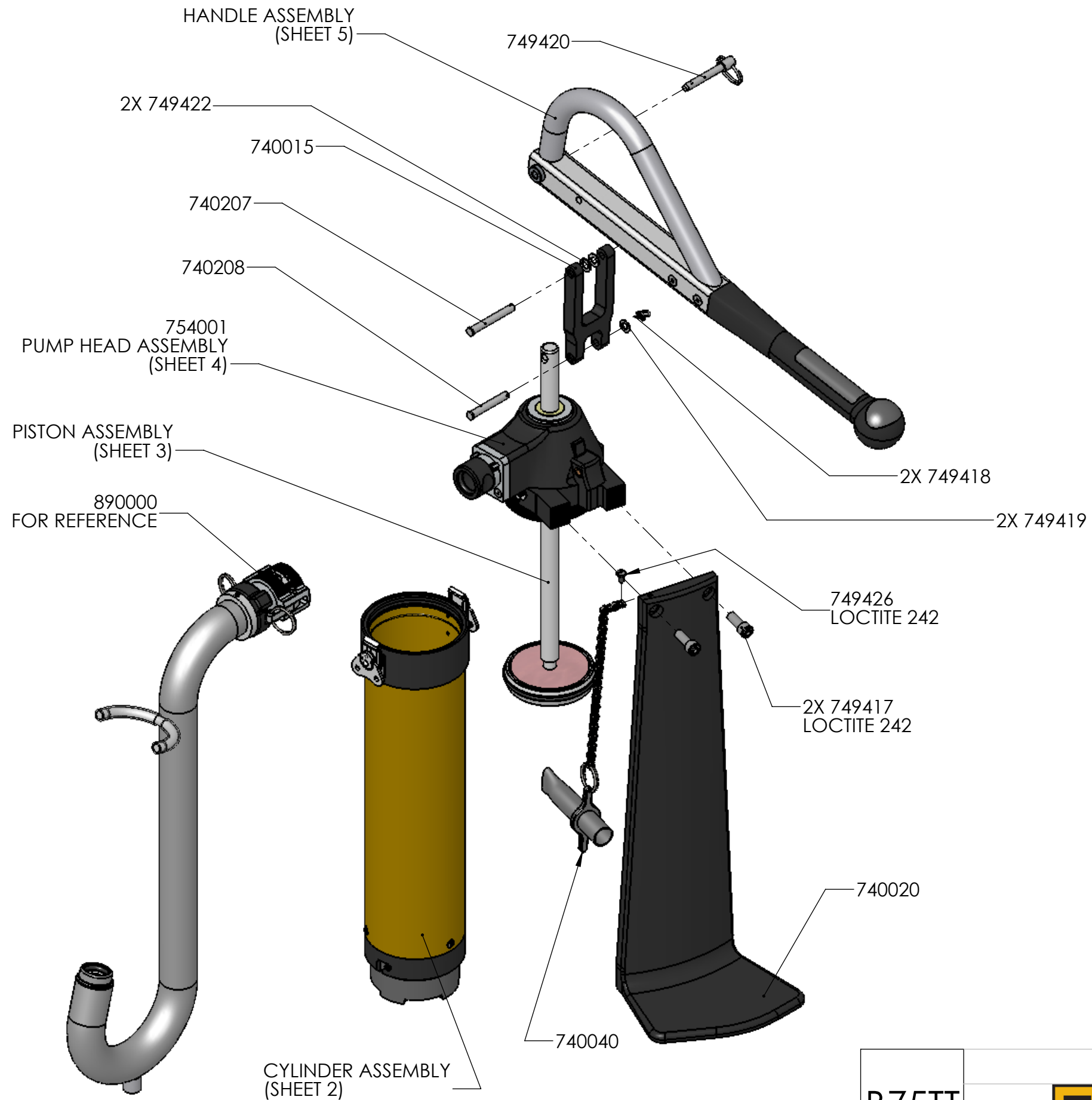


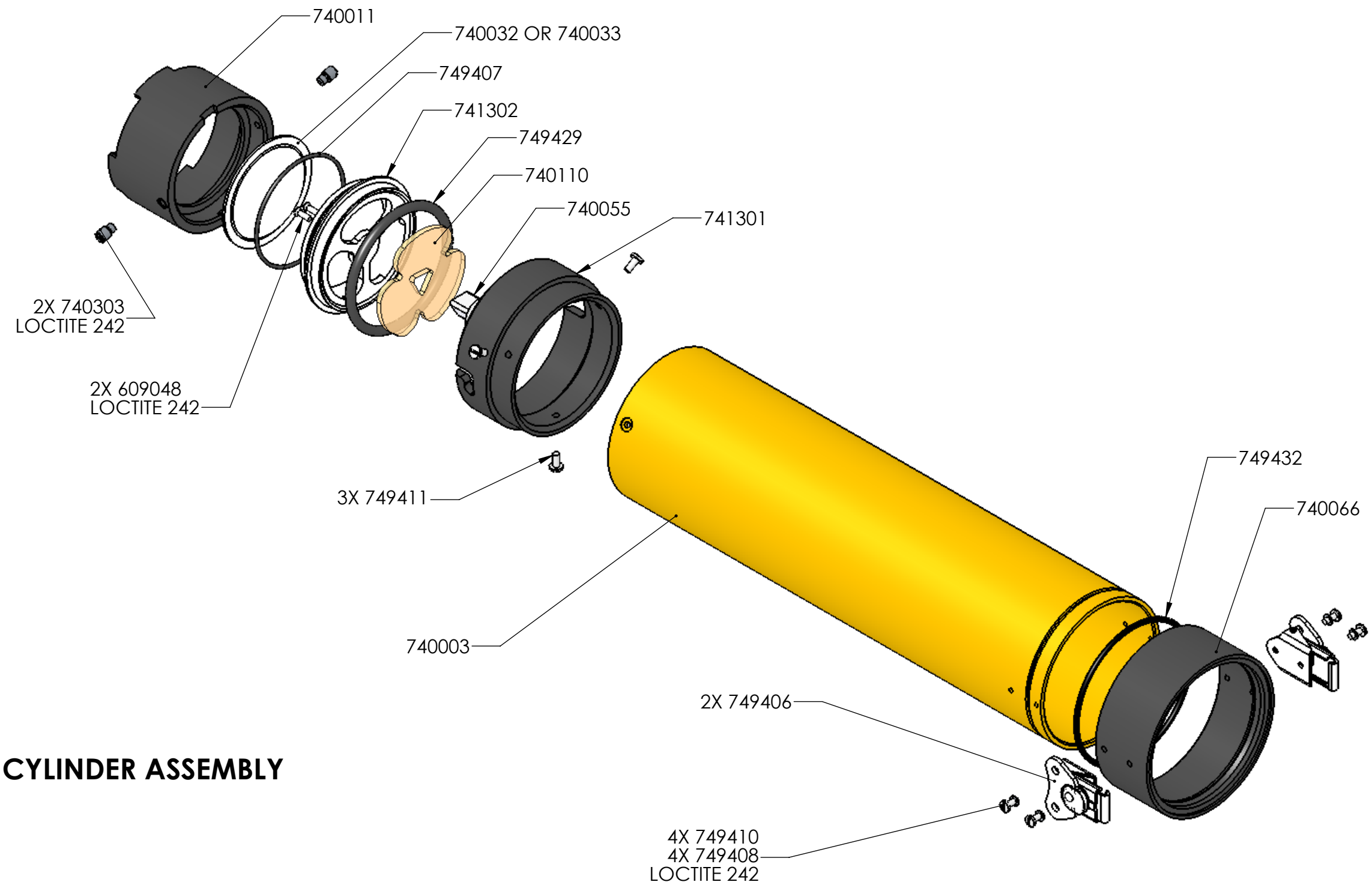
REVISIONS				
ECN	REV.	DESCRIPTION	DATE	BY
	A	RELEASED	12/11	MWJ



	BY	DATE
DRAWN	MWJ	12/11
CHECKED	X.X.X.	##/##
ALL DIMENSIONS IN INCHES UNLESS OTHERWISE NOTED		
TOLERANCES UNLESS NOTED		
.XX ± 0.010"		ANGULAR ±.5°
.XXX ± 0.005"		
MATERIAL: N/A		

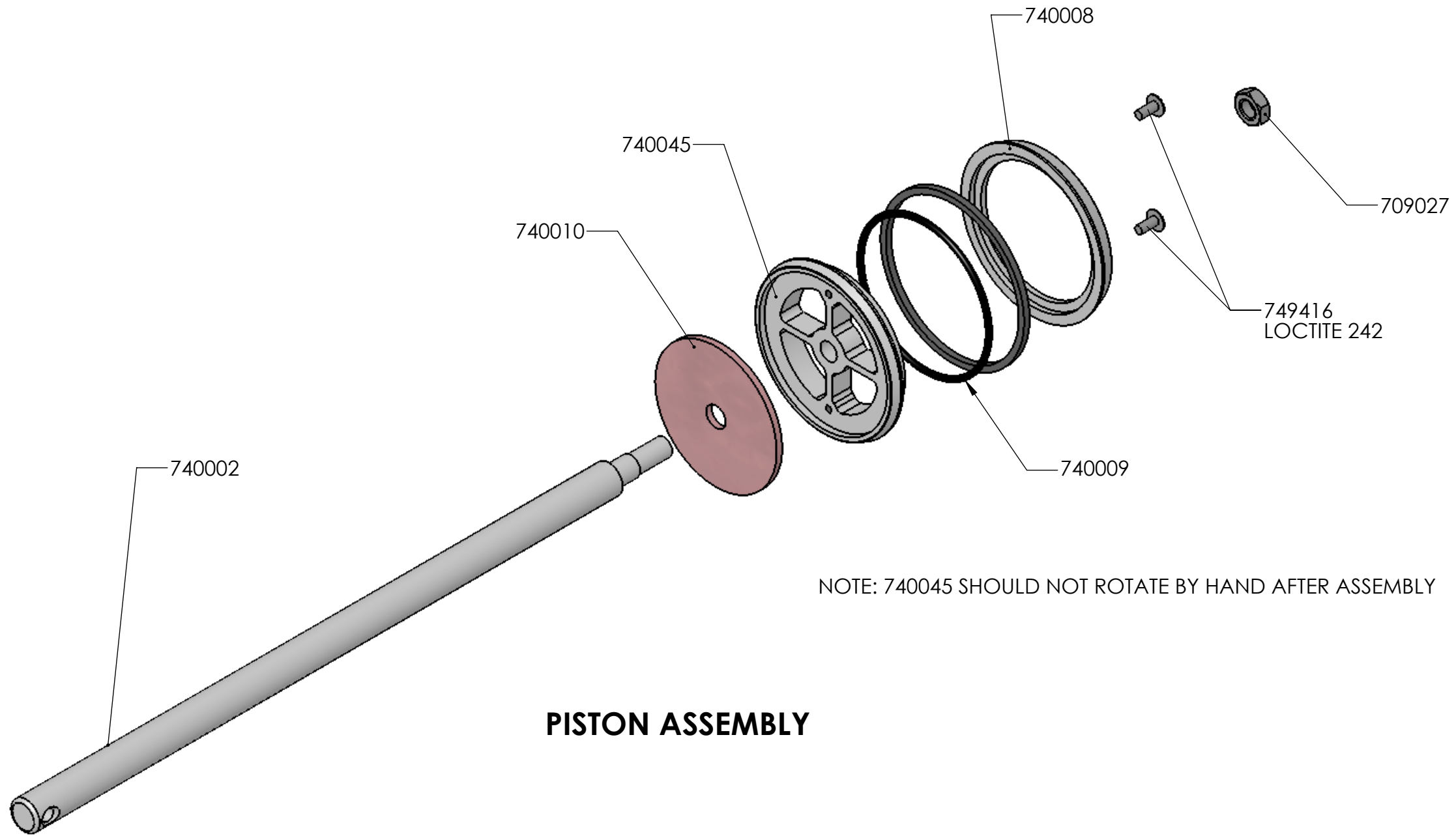
Future Pump			
TapeTech PROFESSIONAL DRYWALL FINISHING TOOLS			
SIZE B	SCALE = 1:4	DWG. NO. 750000	REV. A
ASSEMBLY REF. NO. N/A		SHEET 1 of 6	





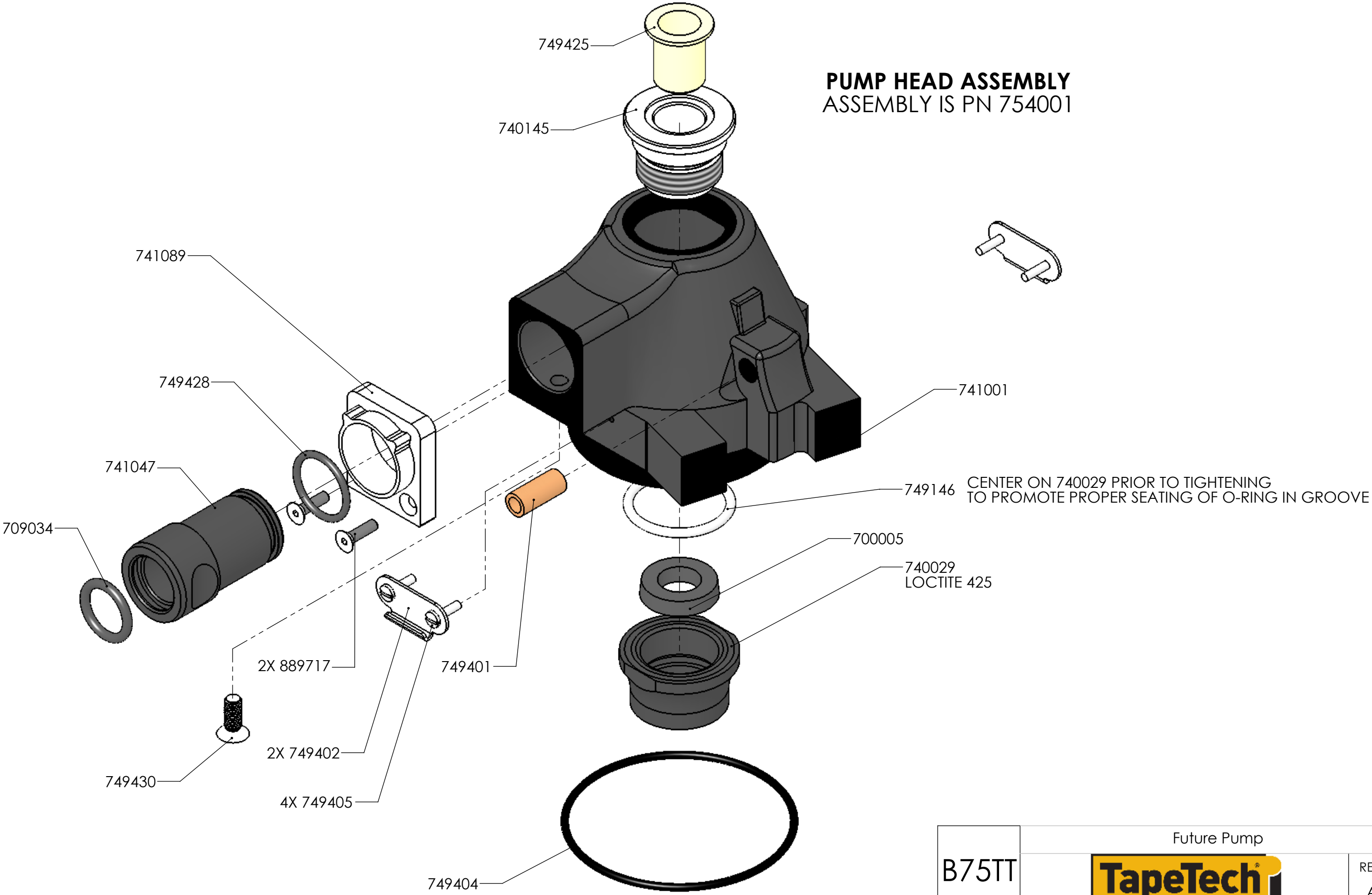
CYLINDER ASSEMBLY

B75TT	Future Pump	
		
	PROFESSIONAL DRYWALL FINISHING TOOLS	REV. A

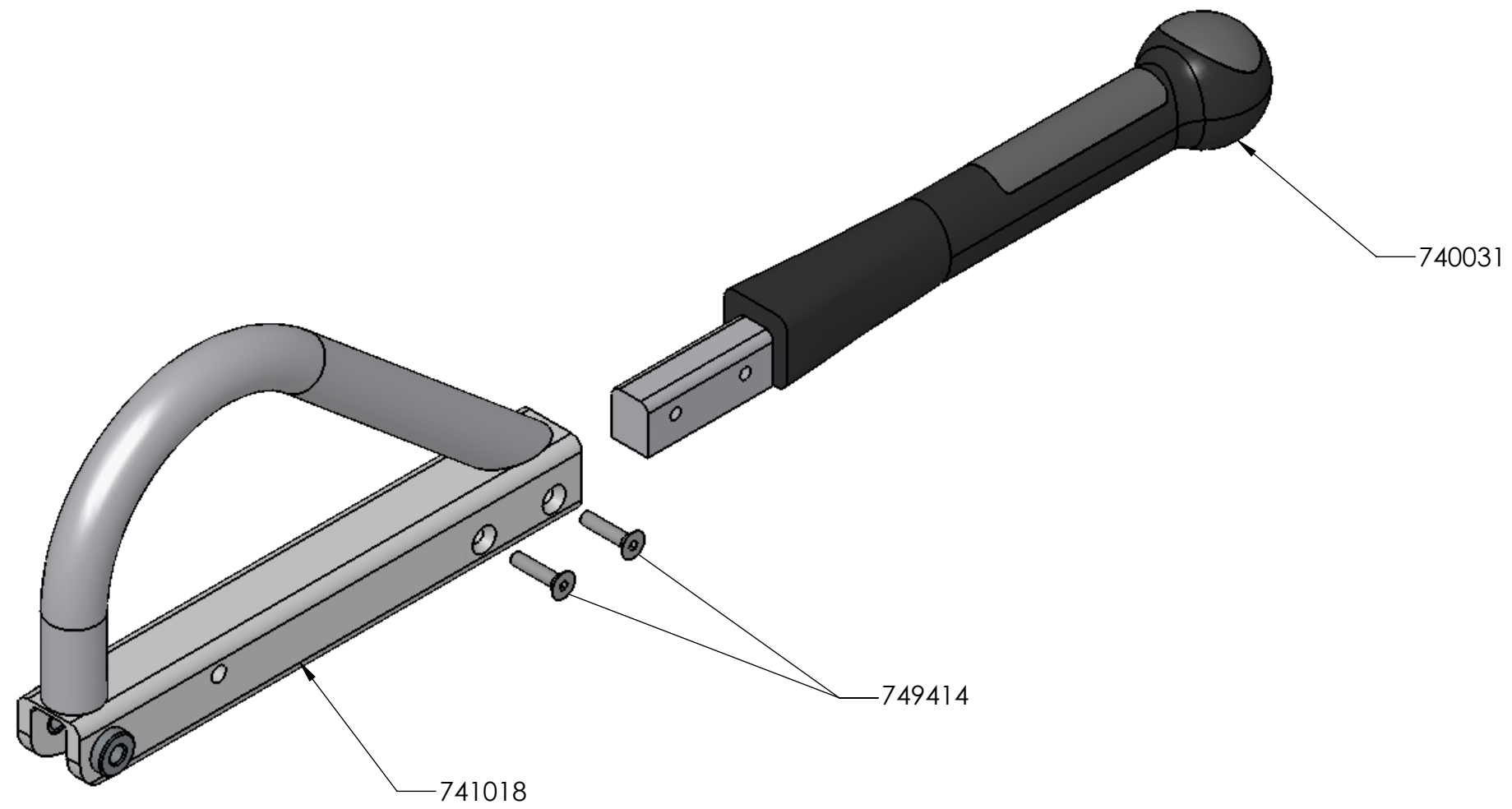


PISTON ASSEMBLY

PUMP HEAD ASSEMBLY
ASSEMBLY IS PN 754001



B75TT	Future Pump	
		
		REV. A



HANDLE ASSEMBLY

Part Number	Description	Quantity Each
609048	4-40X3/8 Flat Head S.S. Screw	2
700005	6226-14 U-Cup	1
709027	Locknut Thin Pat. 18-8	1
709034	O'Ring 568-210 Buna	1
740002	Pump Shaft	1
740003	Cylinder	1
740008	Piston, Bottom	1
740009	Piston Seal	1
740010	Valve Disc	1
740011	Footvalve Inlet Body	1
740015	Link	1
740020	Footstand	1
740029	Seal Bushing Retainer	1
740031	Handle Grip Assembly	1
740032	Formed Mesh Screen, Fine	1
740033	Formed Mesh Screen, Coarse	1
740040	Box Fill Adaptor	1
740045	Piston, Top	1
740055	Footvalve Disc Guidepost	1
740066	Cylinder Mounting Ring	1
740110	Footvalve Disc	1
740145	Bushing Housing	1
740207	Link Pivot Pin, Handle End	1
740208	Link Pivot Pin, Head End	1

Part Number	Description	Quantity Each
740303	Footvalve Retaining Pin	2
749146	O-Ring, -220	1
749401	Link Bushing	1
749402	Rotary Latch Keeper	2
749404	O-Ring, -152	1
749405	5-40 x 1/2 Slotted Binding Head Screw	4
749406	Rotary Latch	2
749407	O-Ring, -037	1
749408	5L Washer	4
749410	5-40 x 5/16 Slotted Binding Head Screw	4
749411	6-32 x 5/16 Slotted Binding Head Screw	3
749414	10-32 x 7/8 Socket Flat Cap Screw	2
749416	8-32 x 3/8 Slotted Truss Head Screw	2
749417	5/16-18 x 7/8 Socket Head Cap Screw	2
749418	Locking Cotter Pin	2
749419	1/4L Washer	2
749420	Quick Release Pin	1
749422	1/4 Delrin Washer	2
749425	Bushing	1
749426	8-32 x 5/16 Slotted Binding Head Screw	1
749428	O-ring, AS568A-119, Buna-N, 70A	1
749429	O-ring, AS568A-333, Buna-N, 50A	1
749430	Screw, 1/4-28 x 5/8 FH 100deg Phillips	1
749432	O-Ring, 2mm x 82mm ID	1

Part Number	Description	Quantity Each
750001	Pump Head	1
750018	Handle Body Assembly	1
750047	Pump Outlet	1
750089	Gooseneck Alignment Flange	1
750301	Cylinder Adaptor	1
750302	Footvalve Inlet Cap	1
889717	Screw, 8-32 x 5/8 skt flat head	2