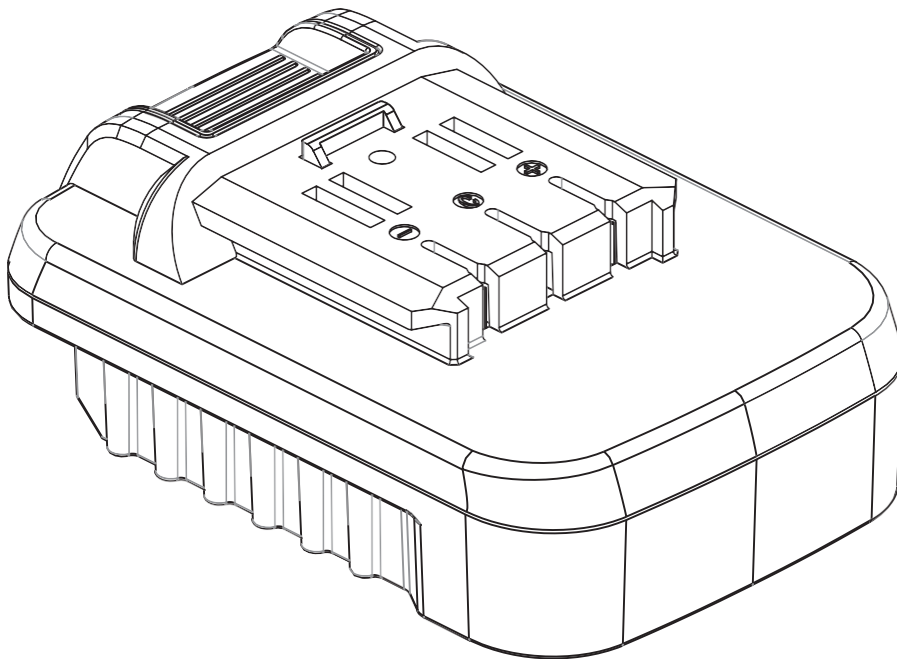




# EADAPT-MIL

## Battery Adapter User Manual



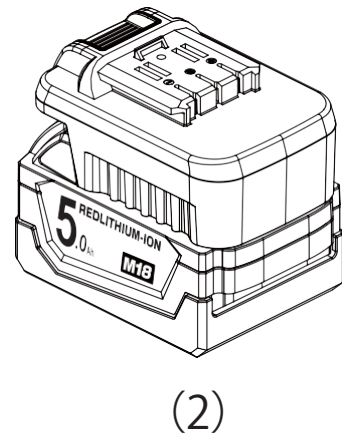
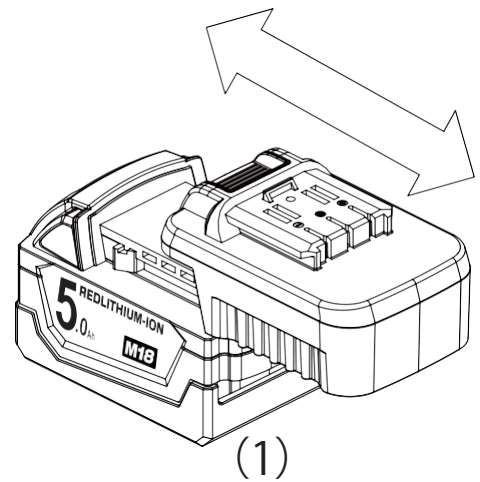
# SAFETY INSTRUCTIONS

**⚠ Warning! Please read the instructions carefully.**

Failure to use or operate in accordance with the following instructions may result in electric shock, fire, or serious injury. In all the warnings listed below, the term "power tool" refers to electrically operated (cordless) power tools.

## USE & PRECAUTIONS FOR THE BATTERY ADAPTER

- a) This Adapter is intended for use with TapeTech Hot Knives, Dual Disc Sanders, Vacuums and Hot Wire tools.
- b) Slide the Adapter into place as shown in diagrams (1) and (2) on the right, ensuring proper installation before connecting the battery to the tool.
- c) Use ONLY the original Milwaukee charger to charge the Milwaukee battery pack. Do not use this Battery Adapter in conjunction with the TapeTech 18V charger.
- d) During use, if you need to check the battery pack's remaining charge, remove the battery pack and inspect it.
- e) When not in use, avoid proximity to paper clips, coins, nails, screws, or any small metal objects that could come into contact with the terminals. Short-circuiting the converter with stored batteries may cause burns or fire.
- f) Do not disassemble or modify this product for use with third-party battery packs or any other unauthorized alterations, as it will void the warranty and guarantee.



## TECHNICAL DATA

Item NO.	EADAPT-MIL
Compatible with Milwaukee Battery	18V