



# EIFSVAC™ 18V Cordless Backpack Vacuum User Manual



1-844-TT-TOOLS  
[www.tapetech.com](http://www.tapetech.com)

**TapeTech Tools**  
1327 Northbrook Parkway, Suite 400  
Suwanee, GA 30024



Before switching on the vacuum cleaner, read the operating instructions!



Wear ear protection.



**WARNING !** Read all safety warnings, instructions, illustrations and specifications provided. Failure to follow all instructions listed below may result in electric shock, fire and/or serious injury. Save all warnings and instructions for future reference.

## **1. Work Area Safety**

- a) Do not use the vacuum cleaner near gasoline, gasses, paint, adhesives or other explosive materials.
- b) Do not use vacuum cleaner outdoors when it rains.
- c) Keep the product out of reach of children.

## **2. Electrical Safety**

- a) Before connecting the vacuum to a power source, check whether the required voltage marked on the product is consistent with the local power supply.
- b) Do not use this product if there is damage to the plug, power cord or the product itself.
- c) Use only authorized technicians to replace the power cord or perform other repairs to the tool.
- d) Avoid body contact with grounded surfaces such as pipes, radiators, stoves and refrigerators. If your body is grounded, the risk of electric shock increases.
- e) Please switch off the electricity to the vacuum cleaner when not in use, before performing maintenance, or replacing accessories.

## **3. Personal Safety**

- a) Do not vacuum toxic substances, carcinogens, flammable substances and other hazardous materials.
- b) Please wear adequate hearing protection and use dust masks.
- c) Do not point the hose, hard tube or any other accessories at eyes or ears, nor put them in the mouth when the backpack vacuum cleaner is connected and turned on.
- d) The vacuum shall not be used by persons (including children) who are not familiar with the operation instructions and persons who are not physically, sensibly or mentally sound or lack of experience and knowledge.

## **4. Use and Care**

- a) The EIFSVAC™ 18V is not intended to vacuum water or other liquids. Do not vacuum flammable substances, firecrackers, lit cigarettes, hot metal, needles, broken glass and other sharp objects, and do not vacuum uncooled hot ash.
- b) When the vacuum is used to absorb dust, fine sand, lime, cement ash or other similar substances, or if the dust bag is full, the connection hole of the bag may become blocked. Be sure to check the bag regularly.

When full, the paper dust collection bag should be replaced. The cloth dust collection bag is reusable. Empty the bag and reinstall it in the vacuum. The filter element should be cleaned with compressed air at the end of each workday and replaced with a new element regularly. Use only genuine replacement filters and bags.

- c) Please stop using the product immediately if you find performance degradation or any other exceptions during operation.
- d) Keep the vacuum cleaner out of the elements when not in use.
- e) The EIFSVAC™18V is designed for use with dry, non-flammable dust and polystyrene materials. It is suitable for commercial use, construction sites, workshops and other places. It can be used in combination with the TapeTech EIFSand™ Dual Disc Sanders and other power tools.
- f) Please note: the EIFSVAC™18V has an internal temperature protector inside!!!  
If the hose or the dust filter bag is blocked and the internal temperature rises above 105 ° C, the vacuum cleaner will stop running automatically in order to protect the motor from damage. If this occurs, inspect the vacuum to find the cause of the blockage and remedy it. Once the internal temperature drops to a safe operating level, the vacuum cleaner will operate again. Note: it may take up to 20 minutes for the temperature to reach a safe level, depending on the environment.

## 5. Technical Data

Product Model	EIFSVAC18V
Voltage	DC18V
Rated Power	350W
Dimension	25" x 16" x 8.5"
Capacity	3.7 Gallons
CFM	Approx. 60 CFM
Noise Level	85 dB (A)
Weight	17.6 pounds

## 6. Installing or Replacing the Vacuum Filter Bags

### AVAILABLE VACUUM FILTER BAGS

#### Paper Filter Bag (Included with EIFSVAC™ Vacuum Cleaners)

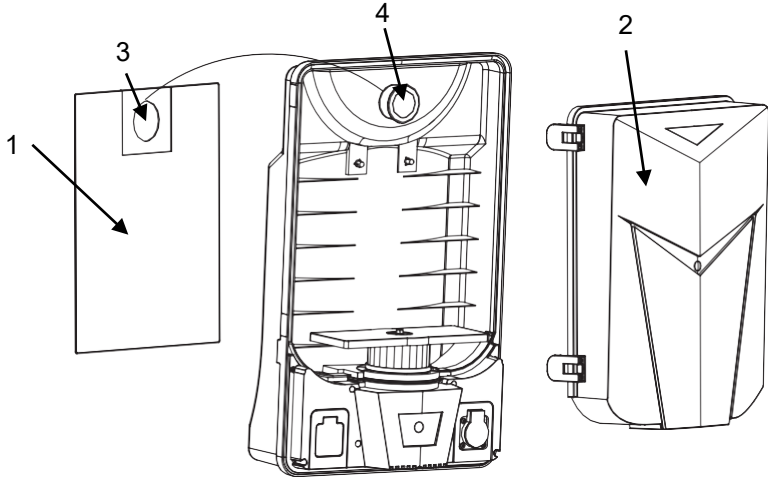
1. The paper filter bag is designed for collection of fine dust.
2. Use only genuine EIFSVAC™ replacement filter bags. Do not reuse damaged filter bags.

**IMPORTANT:** If the paper filter bag is used to remove gypsum dust, the filter bag will be blocked quickly. When used in this manner, it can only be filled to 1/3 capacity or there is a danger of tearing.

#### Fabric Filter Bag (Available for Purchase Separately)

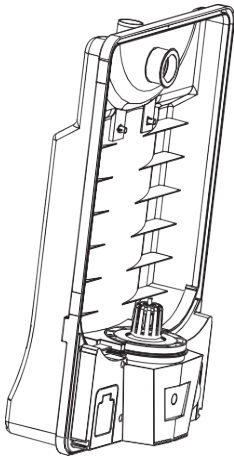
1. The fabric filter bag is designed to collect polystyrene and is reusable. It can be washed in temperatures up to 105 degrees. Do not use the fabric filter bag to collect fine dust.
2. Use only genuine EIFSVAC™ replacement filter bags. Do not reuse damaged filter bags.

To install the filter bag (paper or fabric) (1), remove the back cover (2) of the vacuum. Fit the hole of the filter bag (3) over the inlet tube (4) of the vacuum. Press the cardboard reinforcing plate into place over the inlet. Reinstall the back cover.



To empty the fabric filter bag, unzip the bottom of the bag and dispose of contents properly. The bag can be washed in water temperatures up to 105 degrees.

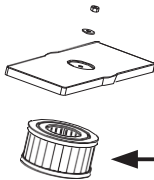
**NOTE:** Be sure the zipper of the fabric filter bag is closed after emptying. Operating the vacuum with an open filter bag could lead to motor failure.



### Troubleshooting

If there is a drop in the suction:

- Check that the nozzle and suction tube/hose are not clogged.
- Clean the filter element with compressed air or replace the filter element.
- Empty or replace the filter bag.



Change filter element regularly.  
Use only genuine EIFSVAC filters.

### CONNECTING TOOLS TO THE VACUUM

TapeTech EIFSRASPs, EIFSand Dual Disc Sanders and other tools can be connected to the vacuum to contribute to a dust-free jobsite. Simply connect the hose of the vacuum to the dust port of the tool.

## **7. Inspection and Repair**

### Daily Inspections

- a) Check the shell, handle, power cord and plug for any damage.
- b) If there is any damage to the power cord or plug, do not use the vacuum.
- c) Check that the switch works properly.

### Repairs

- a) Repairs and service should be completed only by an authorized technician.
- b) To ensure the designed operational integrity of the vacuum, do not remove installed covers or screws.

## **8. Warranty**

The EIFSVAC™120 has a one-year limited warranty for defects in parts and workmanship. The warranty excludes damage due to user negligence, misuse, uses other than those indicated in the product's owner's manual, alteration, accident, use of unauthorized parts, failure to perform periodic maintenance as specified in product's owner's manual, normal wear and tear, use of unauthorized parts or repairs performed at non-authorized service centers. Filters and filter bags are considered normal wear items and are not covered under this warranty.

## **9. Maintenance and Service**

Service and repair should be completed only by an authorized technician and using only identical replacement parts. This will ensure that the safety of the power tool is maintained.



Used electrical products should not be disposed of with household waste.

Please recycle where facilities exist. Check with your Local Authority or retailer for recycling advice.

## **10. Exemption from liability**

The manufacturer and his representative are not liable for any damage and lost profit due to interruption in business caused by the product or by an unusable product.

The manufacturer and his representative are not liable for any damage which was caused by improper use of the product or by use of the products from other manufacturers.