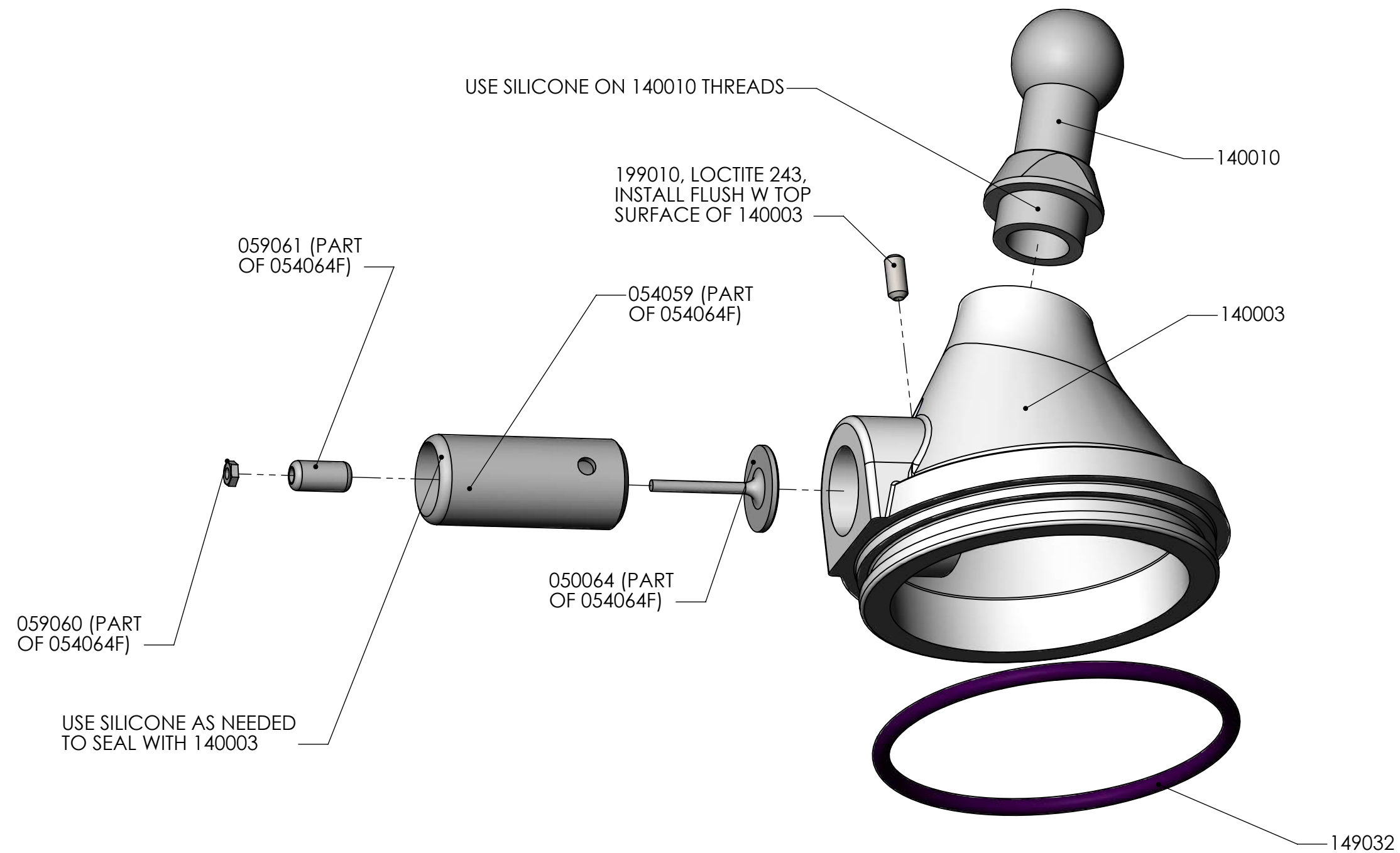


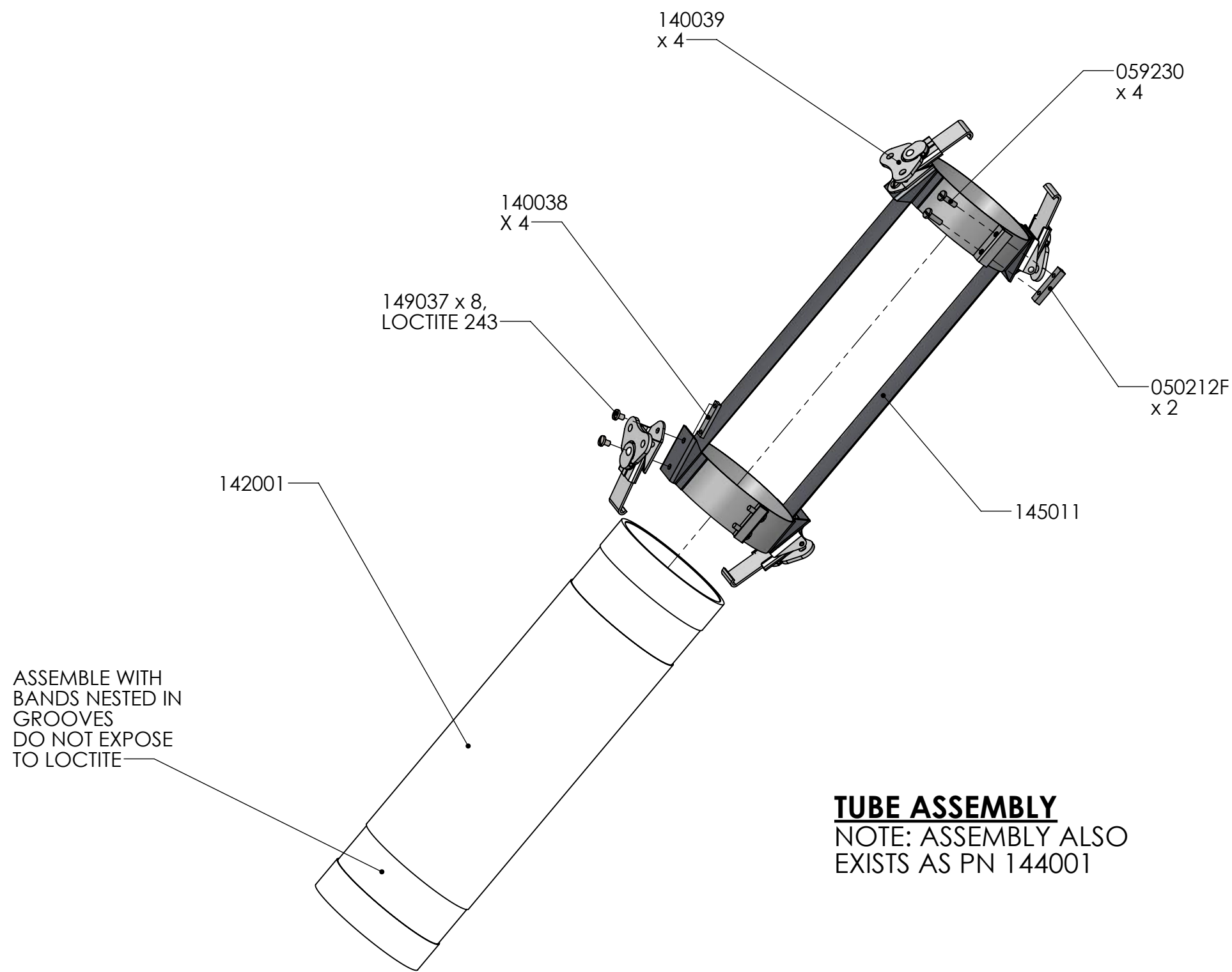
MR01TT

MudRunner Final Assembly	
TapeTech PROFESSIONAL DRYWALL FINISHING TOOLS	
	REV. A



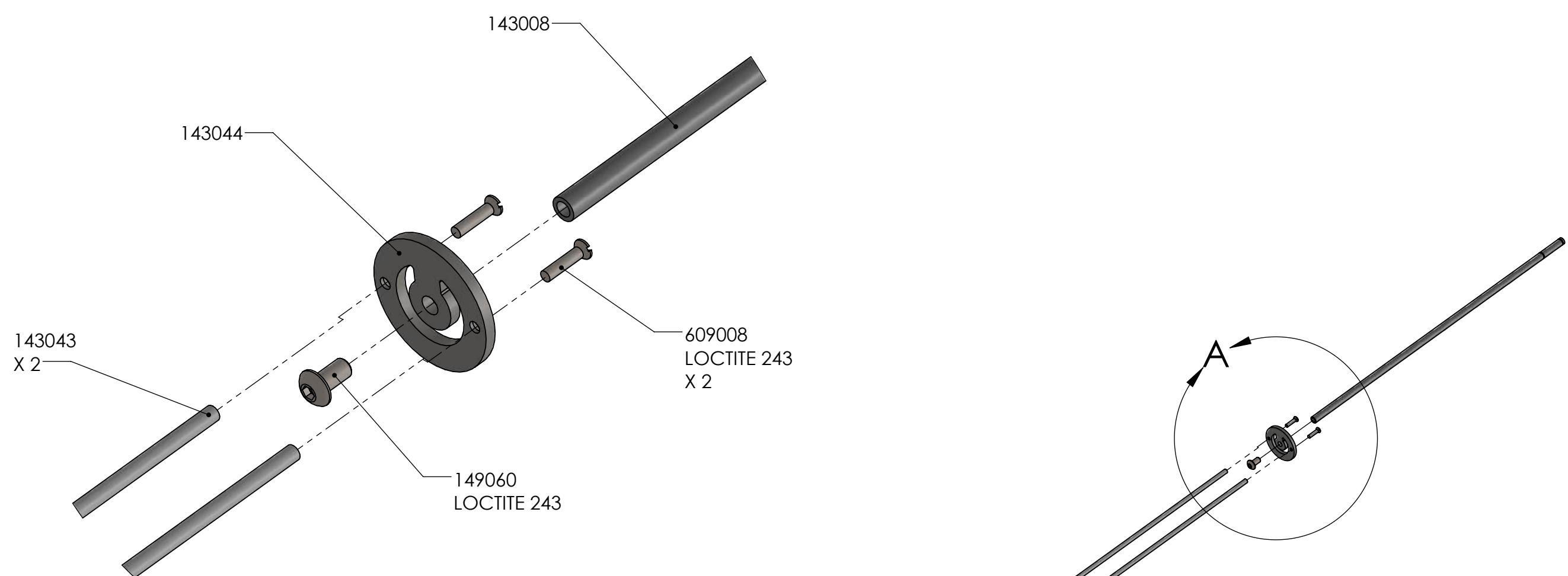
CAP ASSEMBLY

MR01TT	MudRunner Final Assembly	
	 <small>PROFESSIONAL DRYWALL FINISHING TOOLS</small>	REV. A



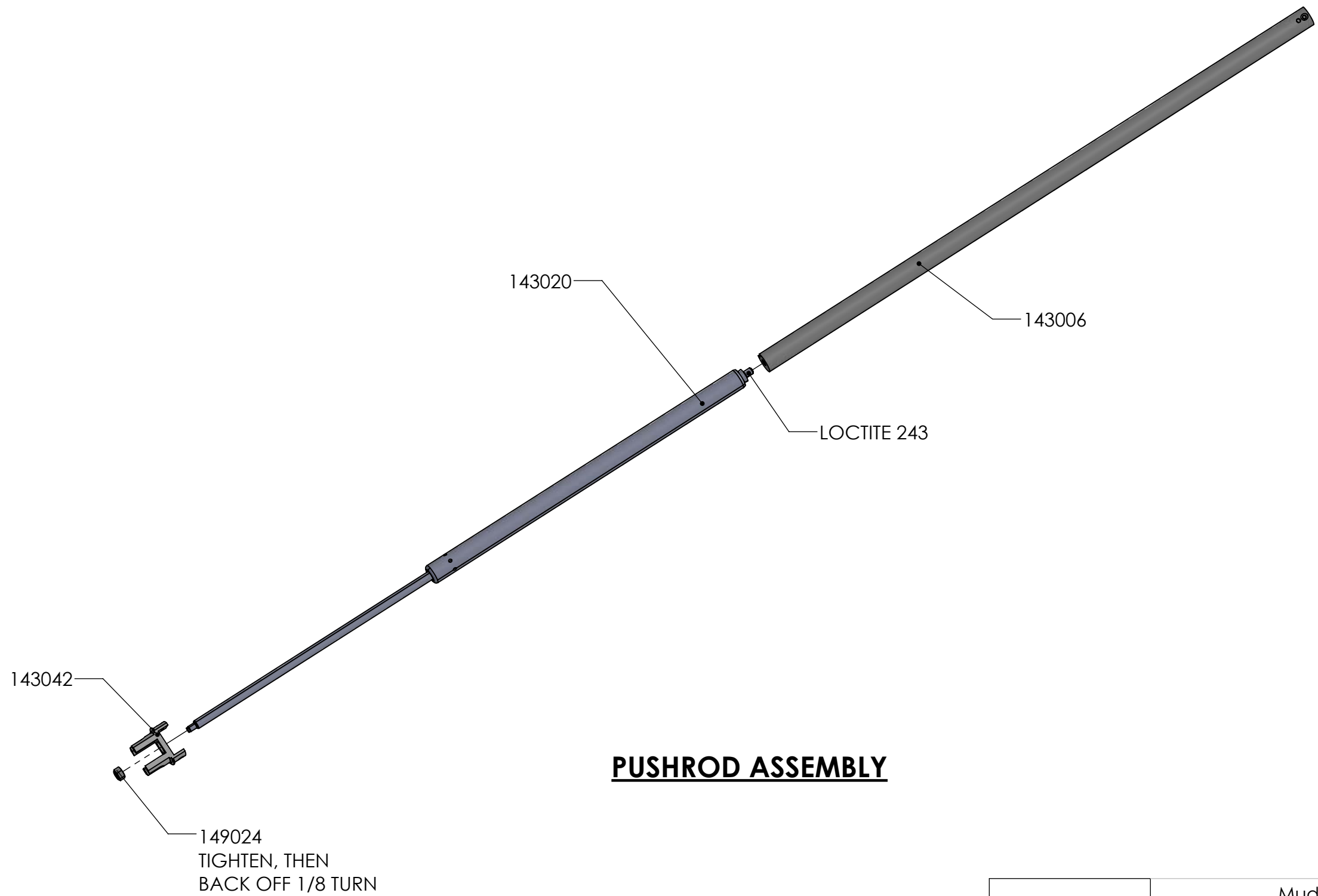
TUBE ASSEMBLY
NOTE: ASSEMBLY ALSO
EXISTS AS PN 144001

MR01TT	MudRunner Final Assembly	
	 PROFESSIONAL DRYWALL FINISHING TOOLS	REV. A



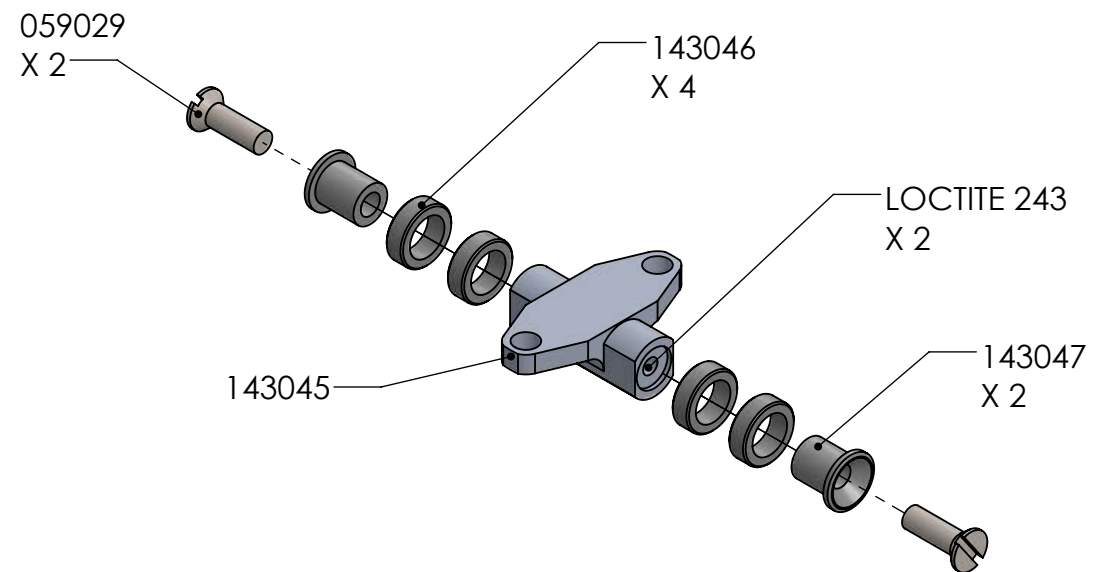
PULLROD ASSY
 DETAIL A
 SCALE 1 : 1

MR01TT	MudRunner Final Assembly	
	 <small>PROFESSIONAL DRYWALL FINISHING TOOLS</small>	REV. A



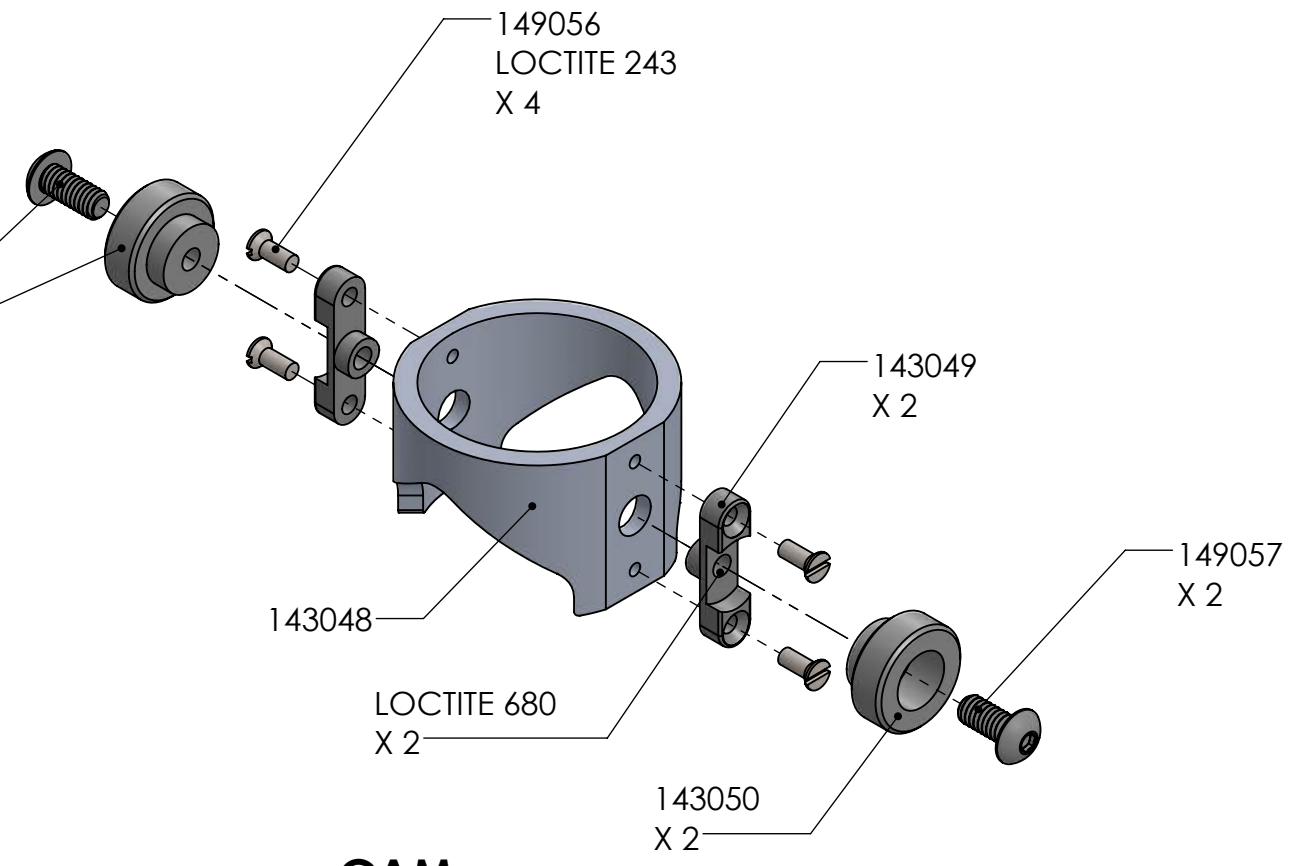
PUSHROD ASSEMBLY

MR01TT	MudRunner Final Assembly	
	 PROFESSIONAL DRYWALL FINISHING TOOLS	REV. A



ROLLER CARRIER ASSEMBLY
ENSURE NO LOCTITE ON ROLLERS

INSTALL WITH FIXTURE TO SET DEPTH, X 2



CAM ASSEMBLY
ENSURE NO LOCTITE ON ADJUSTER SCREW THREADS

MR01TT	MudRunner Final Assembly	
	 PROFESSIONAL DRYWALL FINISHING TOOLS	REV. A