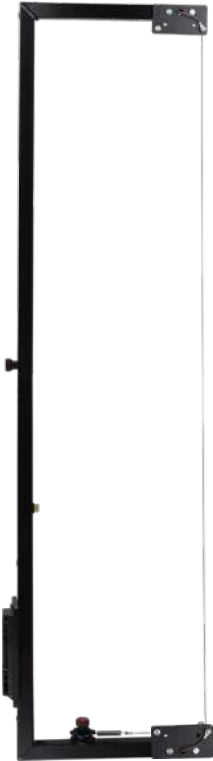




EHWBOW36V - Cordless Hot Wire Bow Cutter

EHWBOW120 - 120V Hot Wire Bow Cutter

User Manual



- Please read these instructions carefully before operation
- Take special note of the guidelines and safety prompts in these instructions to avoid injury to yourself, other people and objects, or damage to the tool.

1-844-TT-TOOLS
www.tapetech.com

TapeTech Tools
1327 Northbrook Parkway, Suite 400
Suwanee, GA 30024

Introduction

The TapeTech EHWBOW36V Cordless Hot Wire Bow Cutter and the EHWBOW120 Hot Wire Bow Cutter are professional-grade hot wire bow cutters for Expanded Polystyrene (EPS) and Extruded Polystyrene (XPS) foam.

The hot wire of the Bow Cutter heats up in seconds to make straight, angled, curved or freeform cuts quickly, cleanly and easily. The lightweight and large capacity frame make it easy to bring the tool to the workpiece – wherever you are.

Technical Data

Model Number	EHWBOW36V	EHWBOW120
Max. Cutting Length	53.5" (1360mm)	53.5" (1360mm)
Max. Cutting Height	13" (330mm)	13" (330mm)
Net Weight	3.0 pounds (1.4 kg)	4.0 pounds (1.8 kg)
Assembled Size	34" x 17" x 3.3" (875 x 435 x 85mm)	34" x 17" x 3.3" (875 x 435 x 85mm)
Power Supply	18V/2.0Ah Battery *2	110V
Dual output charger	Input: 120VAC 60Hz 140W Each output: 21V DC 2.4A	
Replacement Wire	EHW100	EHW100

Rechargeable Battery and Battery Charger Technical Data

Rechargeable Battery

Nominal voltage: 18V

Capacity: Li-ion 2.0 Ah

Weight: 0.75 pounds (0.35 kg)

Power Display function

Double overload protection

Dual Battery Charger

Input voltage : 120V AC 60Hz 140W

Output voltage : 21V DC 2.4A (2 outputs)

Output current : 2.4 A

Weight : 1.25 pounds (0.58 kg)

Single Battery Charger

Input voltage : 100-240V AC 50-60Hz

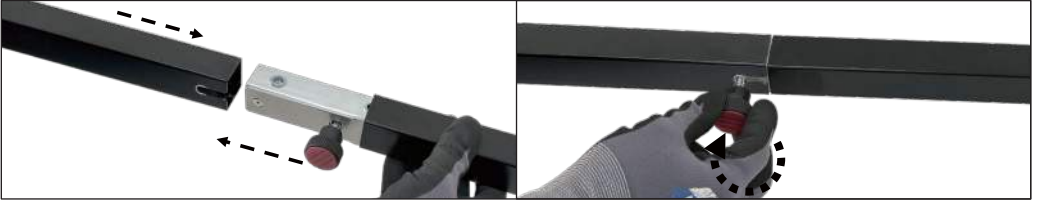
Output voltage : 21V DC

Output current : 2.3 A

Weight : 0.5 pounds (0.24 kg)

EHWBOW120 Hot Wire Cutting Bow Assembly

1. Butt the two bow sections together and tighten the bolts.



2. Install the Hot Wire:



① Attach one end to the hook above. ② Wrap the other end around the pulley, ensuring that the wire is inside the groove. Pass the wire around the aluminum tube and hang it on the horizontal tension spring. Rotate the star wheel clockwise to tighten the hot wire. Finally, tighten and lock screw A.

3. Attach the power module using two M6 x 20 bolts.

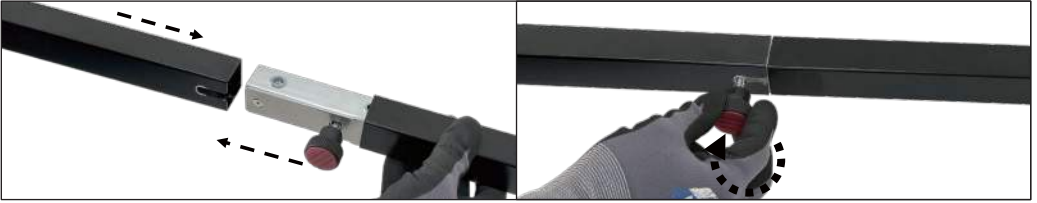


4. Depress the switch to heat the hot wire and cut.



EHWBOW36V Cordless Hot Wire Cutting Bow Assembly

1. Butt the two bow sections together and tighten the bolts.

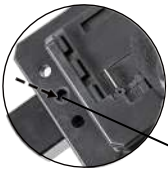


2. Install the Hot Wire:



① Attach one end to the hook above. ② Wrap the other end around the pulley, ensuring that the wire is inside the groove. Pass the wire around the aluminum tube and hang it on the horizontal tension spring. Rotate the star wheel clockwise to tighten the hot wire. Finally, tighten and lock screw A.

DO NOT OVERTIGHTEN THE HOT WIRE! The hot wire should have approximately 0.5" (12mm) of movement at the center of the hot wire when gently pulled with your fingers. Do not allow the hot wire to become tangled or folded as this can result in premature breakage of the hot wire.



3. Attach the battery module using two M6 x 20 bolts.



4. Insert the TapeTech battery.



5. Depress the switch to heat the hot wire and cut.

To power the Cordless Bow Cutter with Bosch, DeWalt, Makita or Milwaukee batteries:



1. Insert the appropriate battery adapter.



2. Insert the corresponding battery



3. Depress the switch to heat the hot wire and cut.

Charging the battery (for EHWBOW36V)

Note: the battery is partially charged on delivery.

To guarantee full power of the battery, charge it completely in the charger before the first use. Pay attention to the charge indicator on the battery charger (red light indicates the battery is charging; green light indicates fully charged). The Li-Ion battery can be recharged at any time without affecting its fatigue life. Interrupting the charging process does not damage the battery.

- Plug the battery charger to the appropriate AC voltage source. The power light will lighten green.
- Insert the battery so that the plus and minus terminals of the battery are on the same side as their respective markings on the charger.
- When the battery is fully inserted, the charge light will turn red, at the same time the power light will go out and charging will begin. The charging light stays on continuously during charging.
- When the charge light goes off, the power light turns green (press the battery button, four power lights come on), the charge cycle is complete.
- After charging, unplug the charger from the power source.
- The battery is equipped with a temperature monitoring system which only allows for charging between 0° C and 45° C.

Li-ion battery

Do not dispose of batteries in household waste. Do not throw batteries into fire or water.

Batteries should be collected and recycled or disposed of in an environment-friendly manner.



Disposal and recycling

In accordance with the European Directive 2012/19/EU (WEEE: Waste Electrical and Electronic Equipment), the symbol below indicates that this product and its used electronic accessories should not be treated as household waste and should be sorted separately and specifically. To help protect the environment, when this product and its accessories are no longer usable, please return them to their point of sale or to the local collection and sorting center provided by your municipality for recycling.

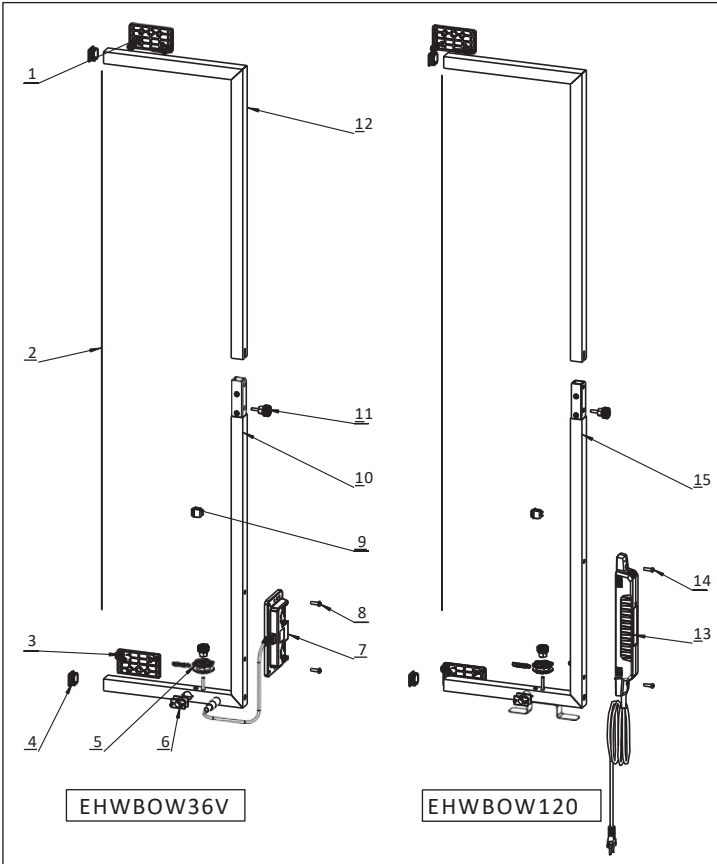
General Safety

- Do not expose the Bow Cutter to rain. Do not use tools in damp or wet locations.
- Keep work area well lit.
- Do not use tools in the presence of flammable liquids or gases.
- Use the Bow Cutter in an environment with good air circulation
- Keep other persons away when the Bow Cutter is in use
- Do not let persons, especially children, not involved in the work touch the tool or the power cord.
- When not in use, tools should be stored in a dry, secure location, out of the reach of children.
- Do not use cord to raise or lower the Bow. Do not yank the cord to disconnect it from the socket.
- Keep the cord away from heat, oil and sharp edges.
- When not in use, before servicing and when changing hot wire, disconnect tools from the power supply.

Warnings

- The use of any hot wire other than authentic TapeTech hot wires may present a risk of tool damage.
- When the power is on, do not touch the hot wire. It is recommended to wear gloves when working.
- Please have your tool repaired only by a qualified repair person

Hot Wire Bow Cutter Components



1. Hot Wire Attachment Assembly
2. Hot Wire
3. Roller Wheel Component
4. Square Tube Plug
5. Wire Take-up Pulley
6. Fixed Nut
7. Wire Harness
8. Fixed Bolts
9. Switch Button
10. Lower Bow Component (EHWBOW36V)
11. Fixed Nut
12. Upper Bow Component (EHWBOW36V/EHWBOW120)
13. Power Supply Module & 140mm Wire Harness
14. Fixed Bolts
15. Lower Bow Component (EHWBOW120)

TapeTech Tools

1-844-TT-TOOLS
www.tapetech.com

1327 Northbrook Parkway, Suite 400
 Suwanee, GA 30024