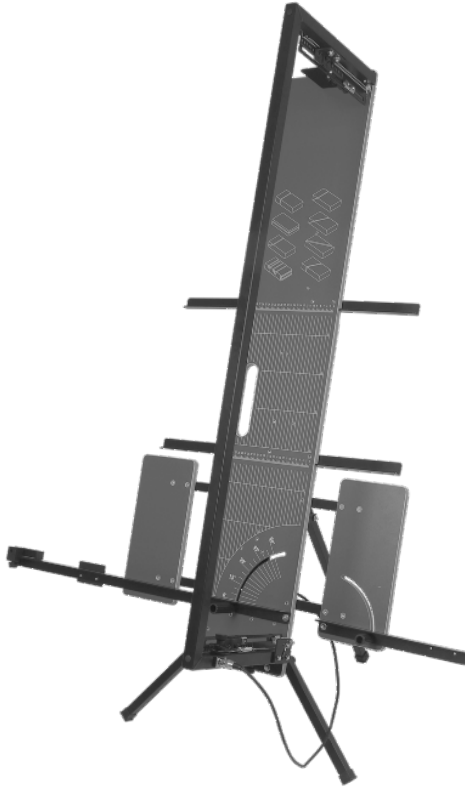




EHWJS18X2

36V Portable Hot Wire Foam Cutter



Please read these instructions carefully before operation.

Take note of the safety prompts in these instructions to avoid injury to yourself, other people and objects. Please follow the guidelines in these instructions to avoid damage to the tool.

Caution: Use outdoors or in a well-ventilated space

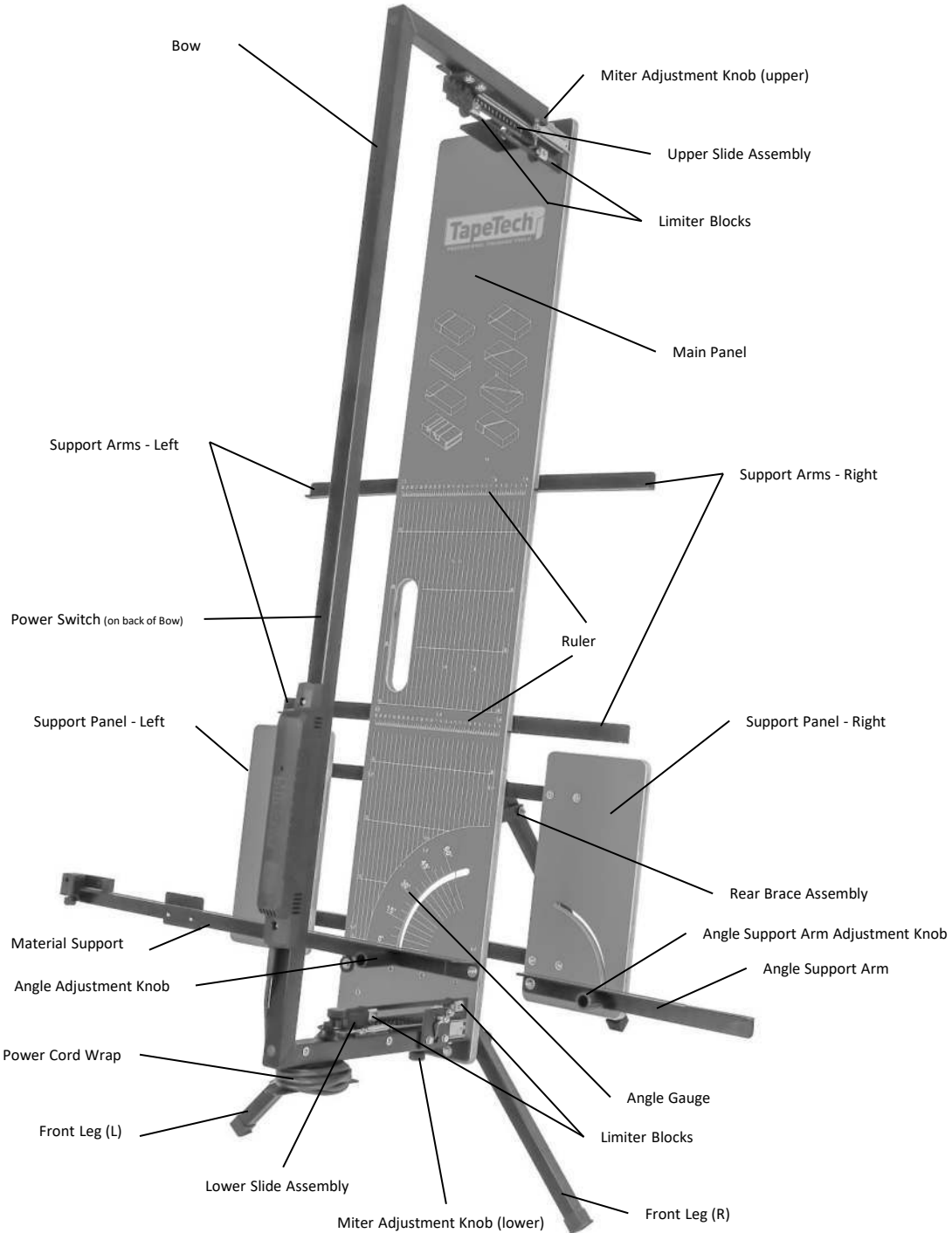
NOTE: The Power Switch is designed to be manually activated before and throughout the cutting process for each cut. It should never be placed in a fixed "ON" position using tape, wire ties or other devices.

DO NOT TOUCH HOT WIRE WHEN WORKING!!

1-844-TT-TOOLS
www.tapetech.com

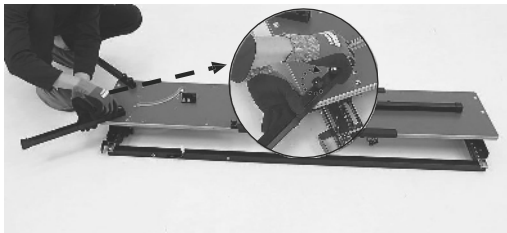
TapeTech Tools
1327 Northbrook Parkway, Suite 400
Suwanee, GA 30024

EHWJS18X2 Key Components



Set Up

1. Attach Front Legs to back of Main Panel



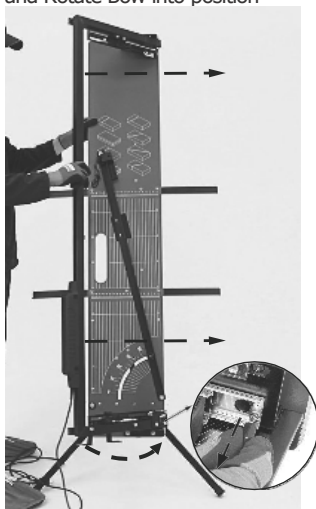
2. Set Rear Leg Assembly



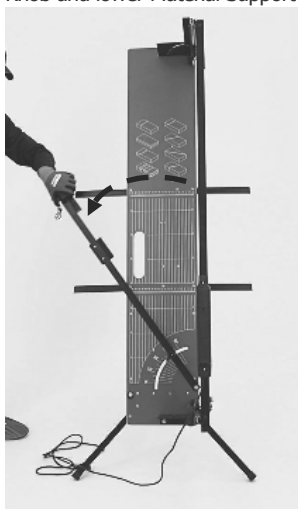
3. Adjust Side Support Arms



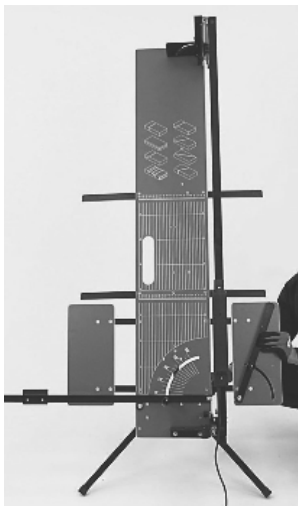
4. Loosen Miter Adjustment Knobs and Rotate Bow into position



5. Loosen Angle Adjustment Knob and lower Material Support



6. Attach Side Support Panels



7. Connect Power Cable to Bow



8. Insert (2) 18V Batteries



The **TapeTech EHWJS18X2 Portable Hot Wire Foam Cutter** is a professional-grade hot wire cutting machine for EPS/XPS foam. The hot wire heats up in seconds upon activation of the power switch.

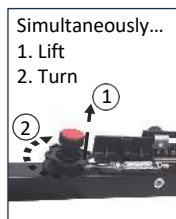
Recommended Use

The EHWJS18X2 is designed to quickly and cleanly cut Expanded Polystyrene (EPS) and Extruded Polystyrene (XPS) foam.

Installation of the Hot Wire

WARNING: Always unplug the power cord of the EHWJS18X2 before installing or changing the hot wire. Allow sufficient cooling time for the hot wire and the springs.

1. It is recommended to use only TapeTech replacement hot wires. Part #: EHW100
2. Hook end of hot wire on to the end of the spring located on the upper slide assembly.
3. Guide the wire over the top rollers, and then around the bottom rollers, connecting the other end of the hot wire to the spring on the lower slide assembly.
4. While lifting up on the red knob, turn the knob to tighten the wire, then tighten the screw.

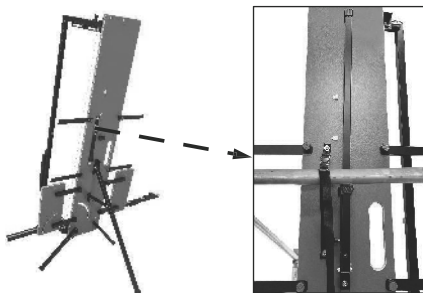


Simultaneously...
1. Lift
2. Turn


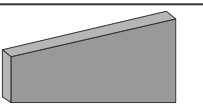
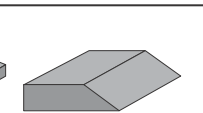
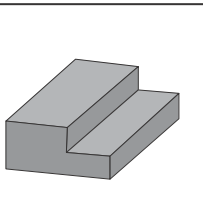
CAUTION: The wire does not need to be red hot to cut the foam. Excessive power output and heat generation may cause damage to the transformer.

Using the Scaffolding Buckle

The TapeTech EHWJS18X2 comes equipped with a quick-connect buckle to secure the unit to scaffolding or staging. Open the buckle and wrap the web strap around the scaffold or stage structure. Close the buckle and tighten the strap.

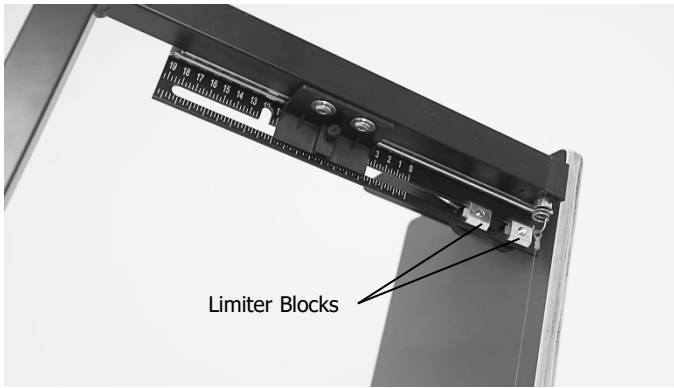


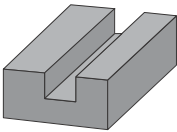
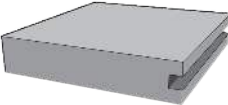
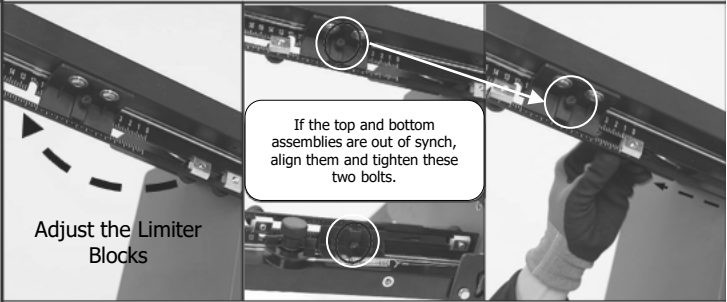
Cutting Foam Shapes

<p>Rectangle</p> 	<ol style="list-style-type: none"> 1. Set the Angle Adjustment to 0°. 2. Set the Miter Adjustment to 0°. 3. Use the Rulers to cut foam to required length.
<p>Angled Cut</p> 	<ol style="list-style-type: none"> 1. Set the Angle Adjustment to the required setting. 2. Set the Miter Adjustment to 0°. 3. Use the Ruler to cut foam to required length.
<p>Bevel Cut</p> 	<ol style="list-style-type: none"> 1. Set the Miter Adjustment to required setting. 2. Set the Angle Adjustment to 0°. 3. Use the Rulers to cut foam to required length.
<p>Step Cut (Rabbit)</p> 	<ol style="list-style-type: none"> 1. Set the Miter Adjustment to 0°. 2. Set the Angle Adjustment to 0° 3. Set the Depth Limit Blocks to required depth. 4. Use the Rulers to make vertical cut at required measure and depth, then move foam horizontally to complete step cut.

Cutting Grooves

The EHWJS18X2 can quickly and cleanly cut square-edged grooves in the face or the edge of EPS or XPS foam panels. To cut grooves, you will need to use the Limiter Blocks located on the Upper and Lower Slide Assemblies. The blocks are easily positioned to set the depth of cut using the ruler on the slide assemblies. **NOTE:** Always synchronize the position of both the upper and lower Limiter Blocks to ensure the bow stops uniformly across its length.



<p>Face Groove Cut</p> 	<ol style="list-style-type: none"> 1. Set the Angle Adjustment to 0°. 2. Set the Miter Adjustment to 0° 3. Set the Limiter Block to the required depth of the groove 4. Use the Ruler to cut first side of groove at required position. The limiter block will stop the wire at the bottom of the groove. 5. Move the foam board horizontally to cut the bottom of the groove to the required width. 6. Pull the bow towards you to complete the face groove cut.
<p>Side Groove Cut</p> 	 <p>Adjust the Limiter Blocks</p> <ol style="list-style-type: none"> 1. Set the Angle Adjustment to 0° 2. Set the Miter Adjustment to 0° 3. Set the two Limiter Blocks on the upper and lower slide assemblies to control the position of the side groove based on the thickness of the material and groove requirements. 4. Rest the slide assembly against the inner Limiter Block. 5. Activate power switch and move the foam horizontally into the hot wire to create the first side of the groove. 6. Pull the bow towards you to complete the side of the groove. 7. Move the foam horizontally to complete the groove and exit the foam.

Technical Data

Model Number	EHWJS18X2
Max. Cutting Height	50.8" (1290 mm)
Max. Cutting Thickness	13" (330 mm)
Rulers	Left: 39" (1000 mm); 0-60° / Right: 15" (400 mm)
Net Weight	30 pounds (13.5 kg)
Assembled Size	63" x 17" x 8" (1610 X 440 X 200 mm)
Power Supply	18V / 2.0 Ah Battery x 2
Replacement Hot Wire	EHW100
Hot Wire Temperature	Max 932°F

Rechargeable Battery and Battery Charger Technical Data

Rechargeable Battery

Nominal voltage: 18V

Capacity: Li-ion 2.0 Ah

Weight: 0.75 pounds (0.35 kg)

Power Display function

Double overload protection

Dual Battery Charger

Input voltage : 120V AC 60Hz 140W

Output voltage : 21V DC 2.4A (2 outputs)

Output current : 2.4 A

Weight : 1.25 pounds (0.58 kg)

Single Battery Charger

Input voltage : 100-240V AC 50-60Hz

Output voltage : 21V DC

Output current : 2.3 A

Weight : 0.5 pounds (0.24 kg)

Charging the battery (for EHWJS18X2)

Note: the battery is partially charged on delivery.

To guarantee full power of the battery, charge it completely in the charger before the first use. Pay attention to the charge indicator on the battery charger (red light indicates the battery is charging; green light indicates fully charged). The Li-Ion battery can be recharged at any time without affecting its fatigue life. Interrupting the charging process does not damage the battery.

- Plug the battery charger to the appropriate AC voltage source. The power light will lighten green.
- Insert the battery so that the plus and minus terminals of the battery are on the same side as their respective markings on the charger.
- When the battery is fully inserted, the charge light will turn red, at the same time the power light will go out and charging will begin. The charging light stays on continuously during charging.
- When the charge light goes off, the power light turns green (press the battery button, four power lights come on), the charge cycle is complete.
- After charging, unplug the charger from the power source.
- The battery is equipped with a temperature monitoring system which only allows for charging between 0° C and 45° C.

Li-ion battery

Do not dispose of batteries in household waste. Do not throw batteries into fire or water.

Batteries should be collected and recycled or disposed of in an environment-friendly manner.



Disposal and recycling

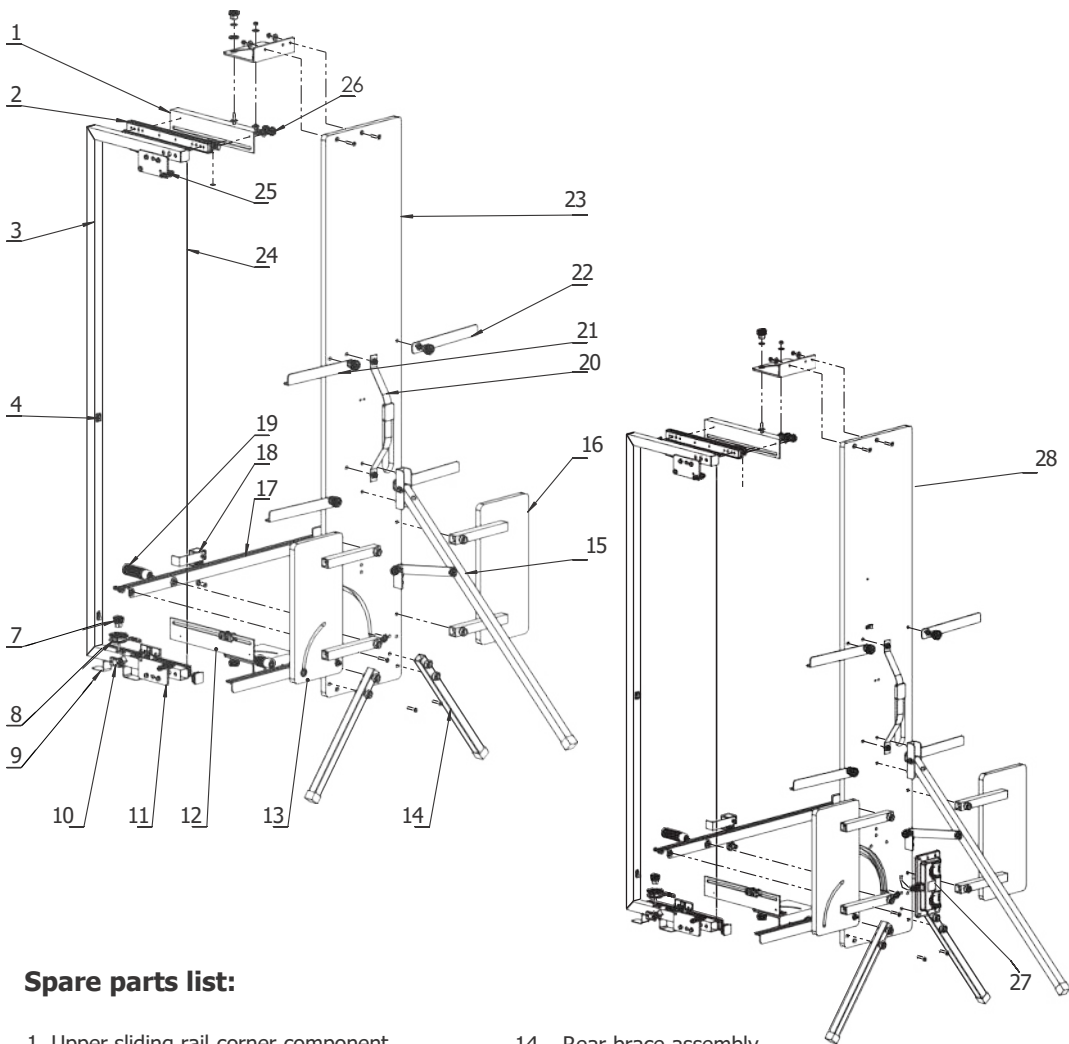
In accordance with the European Directive 2012/19/EU (WEEE: Waste Electrical and Electronic Equipment), the symbol below indicates that this product and its used electronic accessories should not be treated as household waste and should be sorted separately and specifically. To help protect the environment, when this product and its accessories are no longer usable, please return them to their point of sale or to the local collection and sorting center provided by your municipality for recycling.

General Safety

- Do not expose the Foam Cutter to rain. Do not use tools in damp or wet locations.
- Keep work area well lit.
- Do not use tools in the presence of flammable liquids or gases.
- Use the Foam Cutter in an environment with good air circulation
- Keep other persons away when the Bow Cutter is in use
- Do not let persons, especially children, not involved in the work touch the tool or the power cord.
- When not in use, tools should be stored in a dry, secure location, out of the reach of children.
- Keep the cord away from heat, oil and sharp edges.
- When not in use, before servicing and when changing hot wire, disconnect tools from the power supply.

Warnings

- The use of any hot wire other than authentic TapeTech hot wires may present a risk of tool damage.
- When the power is on, do not touch the hot wire. It is recommended to wear gloves when working.
- Please have your tool repaired only by a qualified repair person



Spare parts list:

- | | |
|---|---------------------------------------|
| 1. Upper sliding rail corner component | 14. Rear brace assembly |
| 2. Upper sliding rail | 15. Support panel assembly (L) |
| 3. Bow | 16. Material support rail |
| 4. Power Switch | 17. Switch limit dial indicator |
| 5. M6 extended nut | 18. Adjustment knob |
| 6. Wire rope pulley assembly | 19. Scaffolding buckle assembly |
| 7. Wire winding component | 20. Support arm (R) |
| 8. Transformer outlet | 21. Support arm (L) |
| 9. Lower roller assembly | 22. Main panel |
| 10. Lower sliding rail corner component | 23. Hot wire |
| 11. Support panel assembly (R) | 24. Lower roller assembly |
| 12. Front leg | 25. Limiter block |
| 13. Rear brace assembly | 26. Dual 18V Battery Pack Power Cable |
| | 27. Battery Pack Panel Assembly |
| | 28. Main panel |