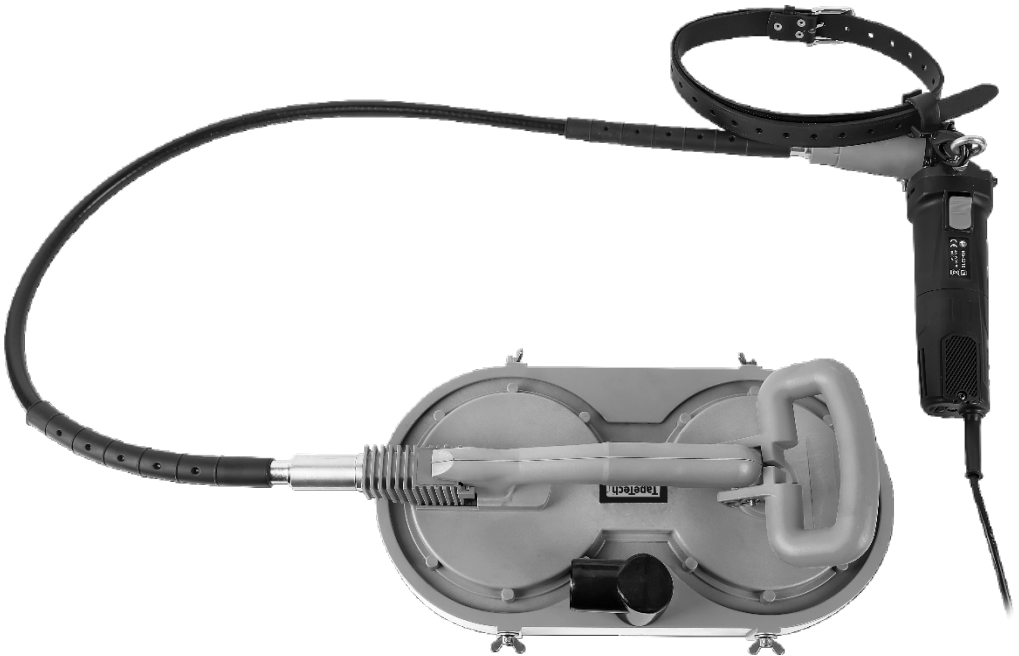




## EIFSand™ 120 Dual Disc Sander



- ⚠ NOTE! Do not allow the drive cable to become twisted during operation!**
- ⚠** The drive cable connects the motor to the tool head. The square drive cable inside the protective cable cover rotates during use. If the tool is operated with the cable twisted, there is a high risk of the cable breaking. The cable is a wear part and not covered under warranty.

1-844-TT-TOOLS  
[www.tapetech.com](http://www.tapetech.com)

**TapeTech Tools**  
1327 Northbrook Parkway, Suite 400  
Suwanee, GA 30024

# Operating Instructions

## **WARNING!**

Please read the enclosed safety and operating instructions before you use this tool the first time to ensure safe and proper handling. Failure to follow all instructions may result in electric shock, fire and/or serious injury.

Save all safety and operating instructions for future reference. If ownership or use of the sander is transferred to another person, please include these Instructions with the tool.

---

## **1. Intended Use**

EIFS™ 120 Dual Disc Sander is a professional-grade sander for sanding exterior or interior walls, floors and ceilings.

Applications:

1. Preparing surfaces for final coat
2. Sanding insulation panels (EPS, XPS, rock wool, mineral boards etc.)
3. Cleaning concrete forms
4. Cleaning and grinding off facade paints
5. Removing glue residue
6. Cleaning and polishing external finishes (metal, granite, clinker)

Please only use original EIFSand™ accessories. The user shall be solely responsible for any damage caused by improper use.

Please observe any federal, state or local accident prevention regulations and the enclosed safety and operating instructions.

---

### Technical Data:

Tool  $n_0$ : 150-570  $\text{min}^{-1}$

Power Input: 120 V~1400 W

Weight of Handheld Tool: 6.2 lbs

Max. Sanding Disc: 8"

Noise Level:  $L_p=88 \text{ dB(A)}$

$L_w=99 \text{ dB(A)}$

$K=3 \text{ dB(A)}$

Vibration Level:  $1.6 \text{ m/s}^2/\text{K} = 1.5 \text{ m/s}^2$

Protection Class II

Article #: EIFSand™ 120

(\*The vibration emission level given has been measured in accordance with a standardized test given in EN 60745 and may be used to compare one tool with another. It may be used for a preliminary assessment of exposure. The declared vibration emission level represents the main applications of the tool. However, if the tool is used for different applications, with different accessories or poorly maintained, the vibration emission may differ.)

## **2. Safety and Operating Instructions**

### **NOTE!**

When sanding, this tool is designed to operate in conjunction with a suitable vacuum cleaner. We recommend using the EIFSVAC120 backpack vacuum cleaner.

- Please wear personal protective equipment. As appropriate, wear safety glasses, dust mask, hearing protectors and gloves. Wear ear protection at levels above 85 dB(A).
- Do not use this tool to sand any asbestos-containing material, lead paint or similar hazardous materials.

- Please take appropriate safety precautions, especially when working on scaffolds and stages.
- Start with the tool at the lowest speed setting and then increase the speed, as needed.
- Never lay the tool down until the motor has come to a complete stop. (Inhalation of dust may cause damage)

**⚠ NOTE! Do not allow the drive cable to become twisted during operation!**

**⚠** The drive cable connects the motor to the tool head. The square drive cable inside the protective cable cover rotates during use. If the tool is operated with the cable twisted, there is a high risk of the cable breaking. The cable is a wear part and not covered under warranty.

### 3. Before switching on the power tool

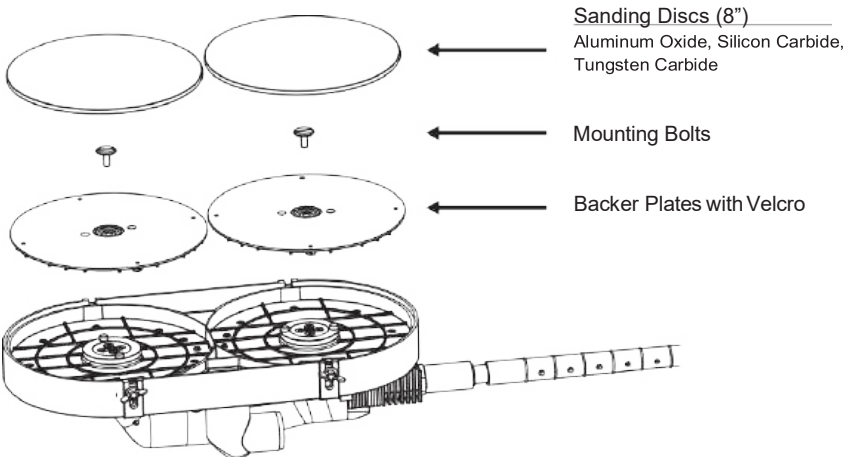
Unpack power tool and accessories and check that no parts are missing or damaged.

**⚠ WARNING! Use a power source with the voltage specified on the label of the tool!**

### 4. Attaching or Changing Sanding Discs

**⚠ NOTED!** Before performing any work on the tool, disconnect the tool from the power source. The sander must be completely off and the main shaft not rotating.

Please use only original EIFSand™120 accessories!



### 5. Usage

**⚠ NOTE! This machine is designed to be used with both hands.**

On/ Off:

- **On:** Push the slide switch forward.
- **Off:** Press the end of slide switch and the switch moves back.



#### Speed Controller:

The variable speed controller is at the back of the motor. Adjust the speed according to material conditions and desired results.

---

## 6. Suction Hood

**⚠ Warning! When sanding, connect this tool to a dust extractor.**

**The suction hood should be adjusted based on the sanding discs being used.**

Loosen the (4) wing nuts to adjust the suction hood so the sanding discs protrude approximately 1 mm beyond the hood. Tighten the (4) wing nuts.

---

## 7. Trouble Shooting

Problem: The power tool does not run.

Possible Cause: Restart protection activated.

Solution: Turn the power switch off and then back on.

Possible Cause: The power switch was in the “On” position when the tool was plugged in.

Solution: Turn the power switch off and then back on.

---

## 8. Maintenance and Care

During normal use, dust may be deposited in the motor which may affect the cooling capabilities of the motor. Keep the motor clean by regularly blowing out the ventilation slots with compressed air.

Carbon Brushes:

The carbon brushes are equipped with an automatic circuit breaker. When the carbon brushes become worn the tool will shut off. Therefore, it is not necessary to continuously check whether the carbon brushes are worn.

Carbon brushes should be replaced by qualified service technicians.

Use only original EIFSand™ 120 replacement carbon brushes. Always replace both brushes together. Please check and clean the motor thoroughly after replace the two carbon brushes.

---

## 9. Repairs and Service

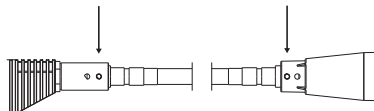
NOTE: All repairs should be performed by an authorized service provider.

Please use authentic EIFSand™ 120 spare parts. Use of other spare parts may void the product warranty.

The flexible shaft and the gears are considered wear parts and are excluded from the Warranty.

Changing the Flexible Shaft:

- Removal: Rotate the shafts until the buttons appear in the Holes. Then press the button and pull the shafts apart.
- Installation: Screw the shaft into the 4-wing rotor and connect the protective hose until the button engages.



---

## 10. Environmental Protection

Please follow all environmental rules and regulations regarding the disposal of tools, equipment, packaging, and accessories. Always render the tool unusable by removing the power cord before disposal.



EU countries only

Do not throw electric power tools into the household waste! In accordance with the EU Directive 2002/ 96/ EG on Electrical and Electronic Equipment Waste and Transposition, electric power tools must be collected separately and recycled in an environmentally friendly manner.

Please ask your dealer about disposal options!

---

## 11. General power tool safety warnings

### 1) Work area safety

- Keep work area clean and well lit. Cluttered or dark areas invite accidents.
- Do not operate power tools in explosive atmospheres, such as in the presence of flammable liquids, gases, or dust. Power tools create sparks which may ignite the dust or fumes.
- Keep children and bystanders away while operating a power tool. Distractions can cause you to lose control.

### 2) Electrical safety

- Power tool plugs must match the outlet. Never modify the plug in any way. Do not use any adapter plugs with grounded power tools. Unmodified plugs and matching outlets will reduce the risk of electric shock.
- Avoid body contact with grounded surfaces, such as pipes, radiators, ranges, and refrigerators. There is an increased risk of electric shock if your body is grounded.
- Do not expose power tools to rain or wet conditions. Water entering a power tool will increase the risk of electric shock.
- Do not abuse the cord. Never use the cord for carrying, pulling, or unplugging the power tool.

- Keep the cord away from heat, oil, sharp edges or moving parts. Damaged or entangled cords increase the risk of electric shock.
- When operating a power tool outdoors, use an extension cord suitable for outdoor use. Use of a cord suitable for outdoor use reduces the risk of electric shock.
- If operating a power tool in a damp location is unavoidable, use a GFCI protected supply. Use of a GFCI reduces the risk of electric shock.

### **3) Personal safety**

- Stay alert, watch what you are doing and use common sense when operating a power tool. Do not use a power tool while you are tired or under the influence of drugs, alcohol or medication. A moment of inattention while operating power tools may result in serious personal injury.
- Use personal protective equipment. Always wear eye protection. Protective equipment such as a dust mask, non-skid safety shoes, hard hat or hearing protection used for appropriate conditions will reduce personal injuries.
- Prevent unintentional starting. Ensure the switch is in the OFF position before connecting to power source and/or battery pack, picking up or carrying the tool.
- Carrying power tools with your finger on the switch or energizing power tools that have the switch on invites accidents.
- Remove any adjusting key or wrench before turning the power tool on. A wrench or a key left attached to a rotating part of the power tool may result in personal injury.
- Do not overreach. Always keep proper footing and balance. This enables better control of the power tool in unexpected situations.
- Dress properly. Do not wear loose clothing or jewelry. Keep your hair and clothing away from moving parts. Loose clothes, jewelry or long hair can be caught in moving parts.
- If devices are provided for the connection of dust extraction devices, ensure these are connected and properly used. Use of dust collection can reduce dust-related hazards.
- Do not let familiarity gained from frequent use of tools allow you to become complacent and ignore tool safety principles. A careless action can cause severe injury in a fraction of a second.

### **4) Power tool use and care**

- Do not force the power tool. Use the correct power tool for your application. The correct power tool will do the job better and safer at the rate for which it was designed.
- Do not use the power tool if the switch does not turn it on and off. Any power tool that cannot be controlled with the switch is dangerous and must be repaired.
- Disconnect the plug from the power source and/or remove the battery pack, if detachable, from the power tool before making any adjustments, changing accessories, or storing power tools. Such preventive safety measures reduce the risk of starting the power tool accidentally.
- Store idle power tools out of the reach of children and do not allow persons unfamiliar with the power tool or these instructions to operate the power tool. Power tools are dangerous in the hands of untrained users.

- Maintain power tools and accessories. Check for misalignment or binding of moving parts, breakage of parts and any other condition that may affect the power tool's operation. If damaged, have the power tool repaired before use.
- Use the power tool and any accessories in accordance with these instructions, considering the working conditions and the work to be performed. Use of the power tool for operations different from those intended could result in a hazardous situation.
- Keep handles dry, clean, and free from oil and grease. Slippery handles do not allow for safe handling and control of the tool in unexpected situations.

#### 5) **Service**

- Have your power tool serviced by a qualified repair person using only identical replacement parts. This helps to ensure that the safety of the power tool is maintained.

#### 6) **Warranty**

##### **Warranty conditions:**

TapeTech warrants that this tool is free from material and manufacturing defects for a period of 12 months from the date of purchase/date of invoice for commercial customers. Wear parts are excluded from this warranty.

##### **Claims:**

To file a warranty claim, please contact TapeTech Tools by telephone at 1-844-TT-TOOLS or by email at [tapetechcustomerservice@tapetech.com](mailto:tapetechcustomerservice@tapetech.com). Please have the complete tool, including all accessories, and your invoice available.

##### **Your rights under our warranty or guarantee:**

Claims can only be accepted for material defects or manufacturing errors, and only assuming the tool was used as intended. Wear parts are not covered by such claims. All claims shall become void in the event of installation of third-party components, improper handling, and storage, as well as in the event of obvious disregard of the operating instructions.

##### **Repairs:**

All repairs must be completed by authorized technicians or service centers